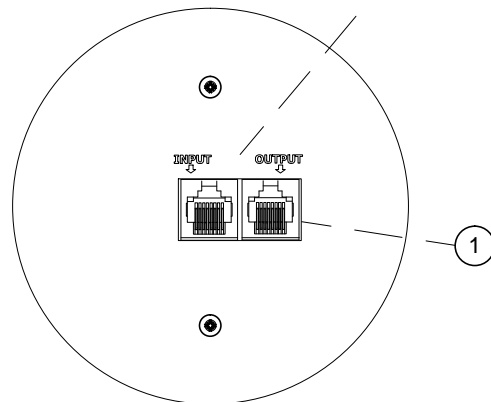
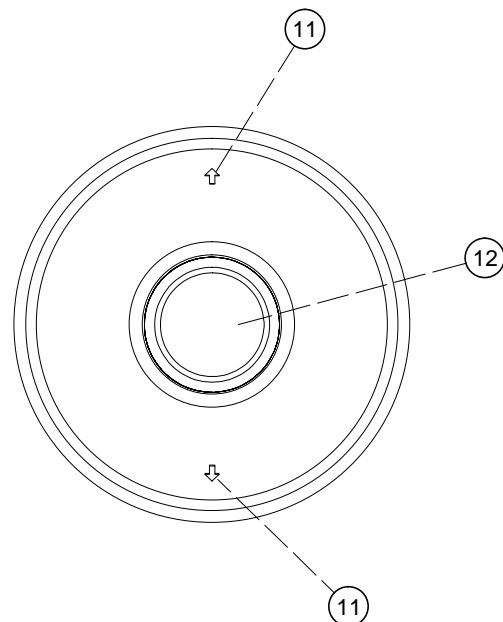
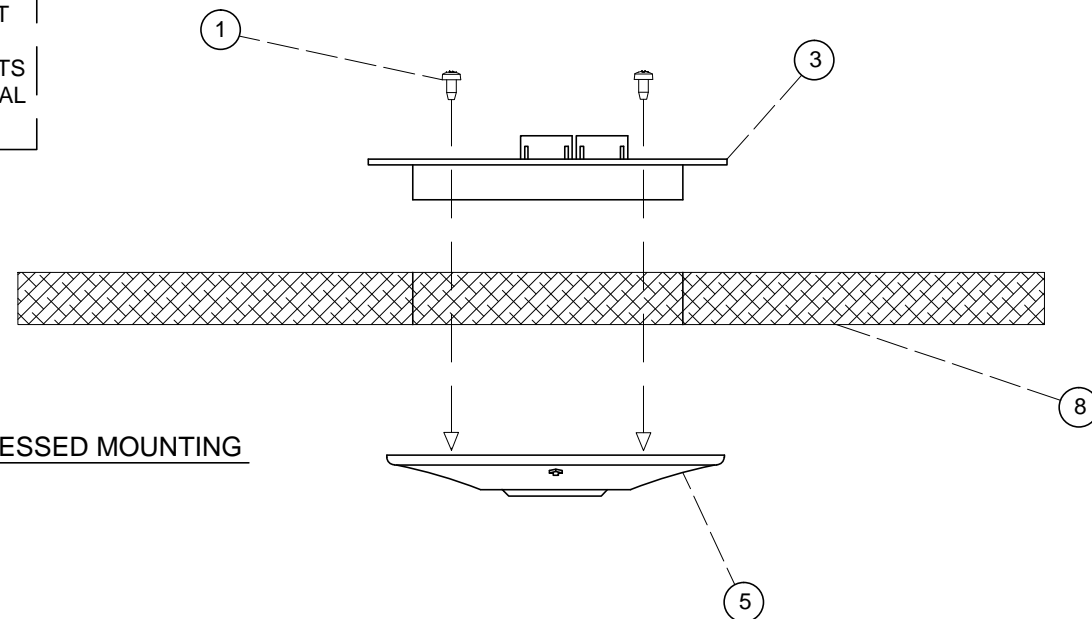


PAGE NOTES:

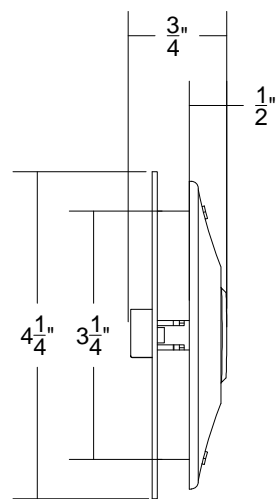
- ① RETAINING SCREWS (INCLUDED)
- ② MOUNTING SCREWS (NOT INCLUDED)
- ③ RECESSED MOUNTED SMAOS BACK COVER
- ④ SURFACE MOUNTED SMAOS BACK COVER
- ⑤ SMAOS FRONT COVER
- ⑥ 4"X4" STANDARD ELECTRICAL JUNCTION BOX
- ⑦ STANDARD ELECTRICAL CIRCLE MUD RING
- ⑧ ACOUSTICAL CEILING TILE 1/2" TO 3/4" DEPTH
- ⑨ DRYWALL OR OTHER PERMANENT HARD SURFACE
- ⑩ FRONT COVER RELEASE FOR SURFACE MOUNTED SMAOS DEVICE (USE FLAT BLADE SCREW DRIVER TO RELEASE CLIP)
- ⑪ ARROWS ARE FOR USE WITH AISLE CONFIGURATION OF SMAOS ALIGN ARROWS WITH THE LONG DIMENSION OF THE AISLE
- ⑫ PIR FRESNEL LENS



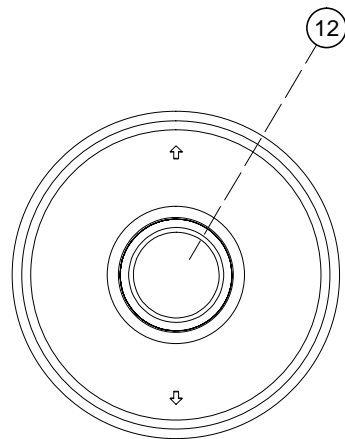
NOTE: LABELED INPUT AND OUTPUT PORTS ARE FOR CABLE IDENTIFICATION ONLY - PORTS ARE ELECTRICALLY IDENTICAL & CAN BE INTERCHANGED.



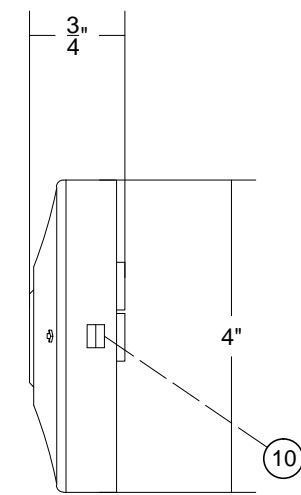
SMAOS RECESSED MOUNTING
SCALE: N.T.S.



SIDE VIEW
FLUSH MOUNT



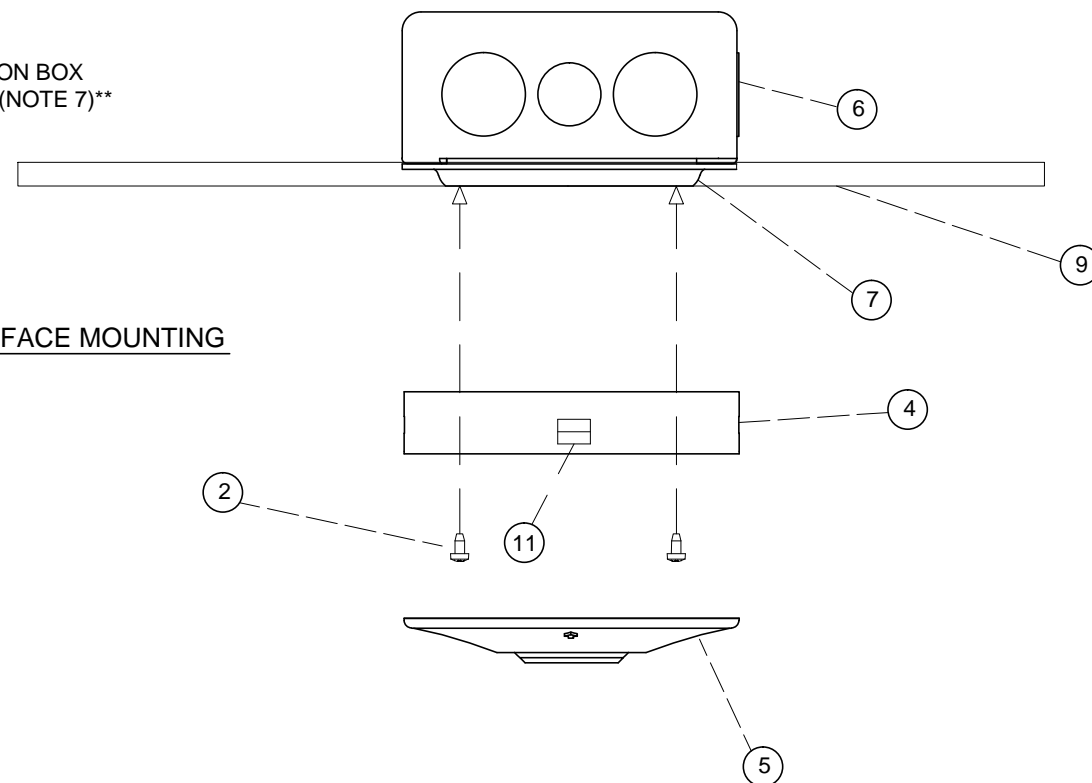
FRONT VIEW
SENSOR FACE



SIDE VIEW
SURFACE MOUNT

SMAOS DEVICE DIMINSIONS
SCALE: N.T.S.

HARD CEILING WITH OCTAGON BOX MUST HAVE CIRCLE MUD RING (NOTE 7)



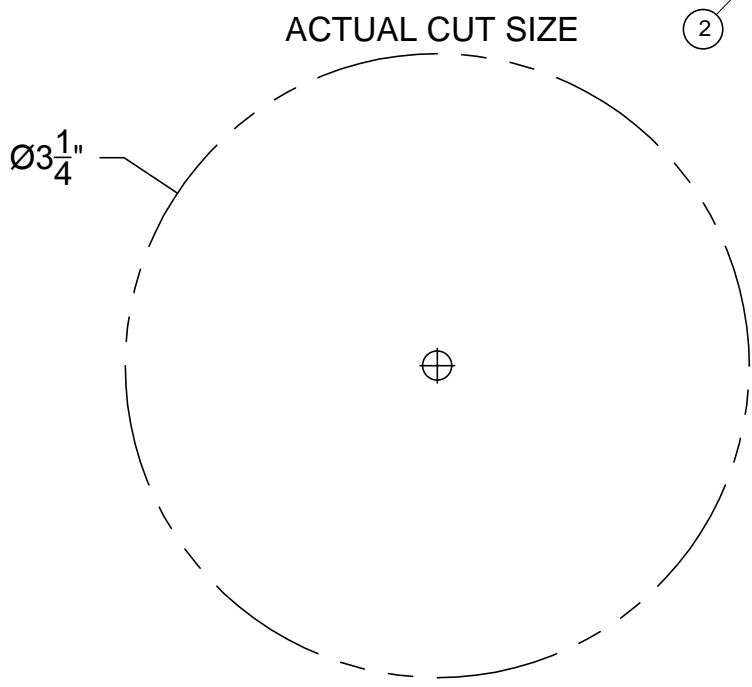
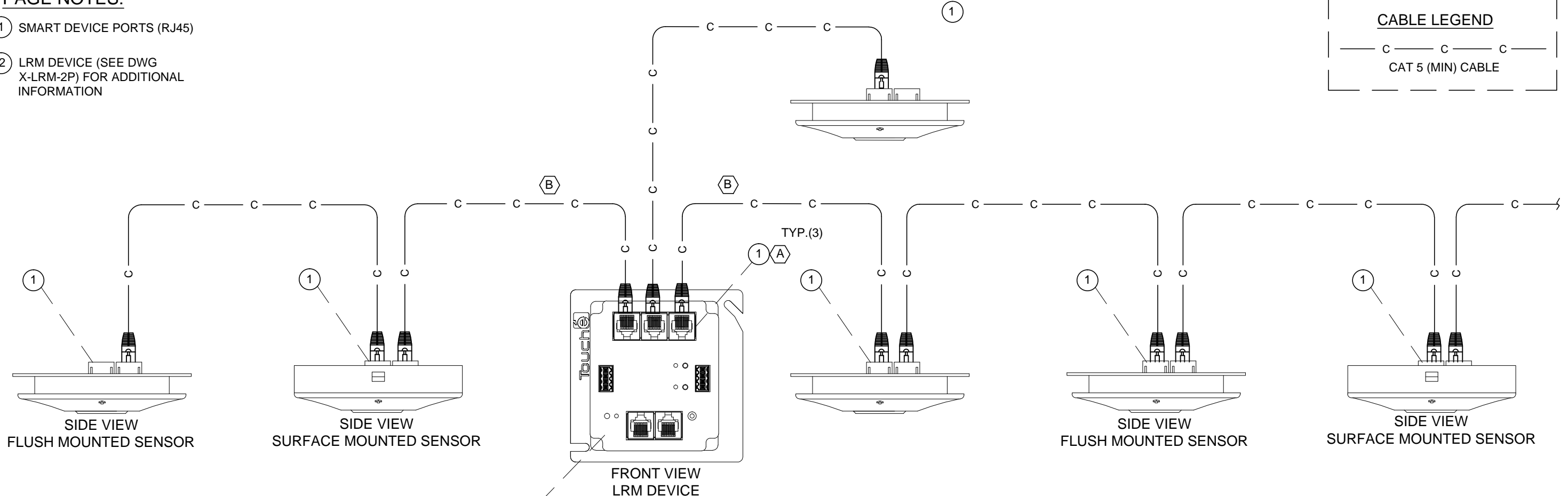
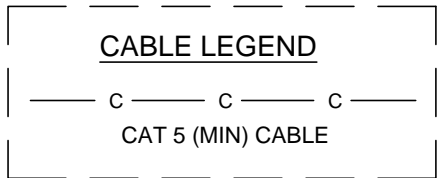
SMAOS SURFACE MOUNTING
SCALE: N.T.S.

PART#	SMAOS-P/SMAOS-D		
DESC.	SMART OCCUPANCY SENSOR		
DWG#	1-SMAOS-P/D (1 OF 2)		
DATE:	5/13/15	REV.	15-5
		DRAWING BY:	15-5

www.touchecontrols.com
phone: 1-888-841-4356
Touché
LIGHTING CONTROL

PAGE NOTES:

- ① SMART DEVICE PORTS (RJ45)
- ② LRM DEVICE (SEE DWG X-LRM-2P) FOR ADDITIONAL INFORMATION



- SPECIAL NOTES:**
- Ⓐ EACH SMART PORT DEVICE CAN SUPPORT UP TO (8) DAISY CHAINED
 - Ⓑ SMAOS DEVICES WHEN MULTIPLE ARE DAISY CHAINED TO A PORT AUTOMATIC COORDINATION BETWEEN SENSORS WILL RESULT (REQUIRES AT LEAST (1) SENSOR TO DETECT OCCUPANCY FOR ALL PORT CONNECTED SENSORS TO REGISTER AN OCCUPIED STATE. REQUIRES ALL SENSORS CONNECTED TO A PORT TO BE IN AN UNOCCUPIED STATE FOR A PORT TO REGISTER UNOCCUPIED STATE.

USE THIS TEMPLATE TO VERIFY PROPER HOLE DIMENSION WITH HOLE SAW



PART#	SMAOS-P/SMAOS-D	
DESC.	SMART AMBIENT OCCUPANCY SENSOR	
DWG#	2-SMAOS-P/D (2 OF 2)	
DATE:	5/13/15	REV. 15-5
		DRAWING BY: TDP

