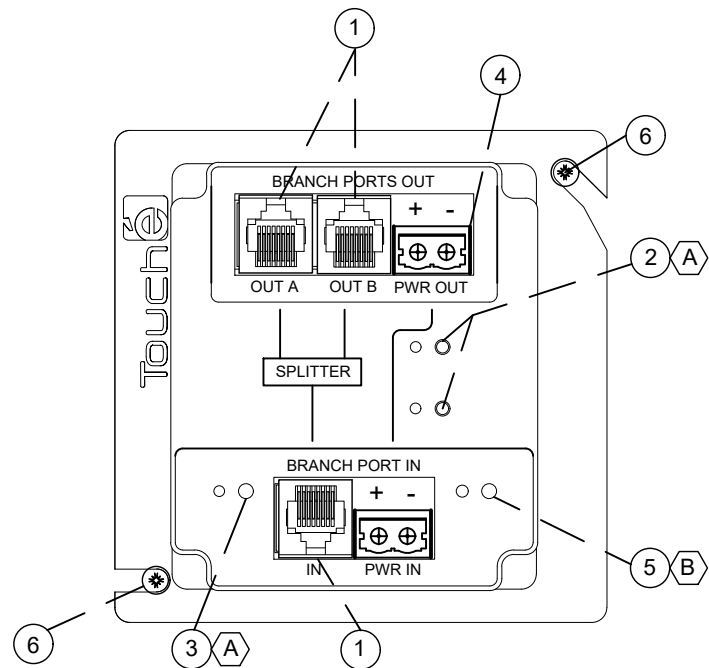
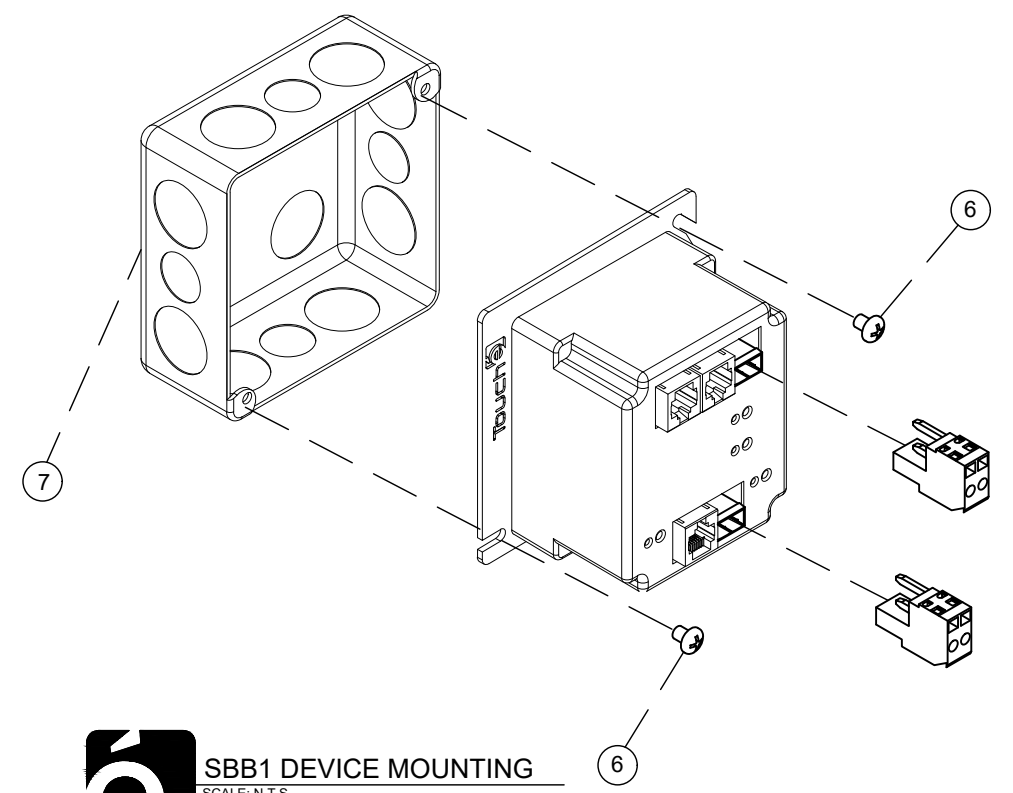


**PAGE NOTES:**

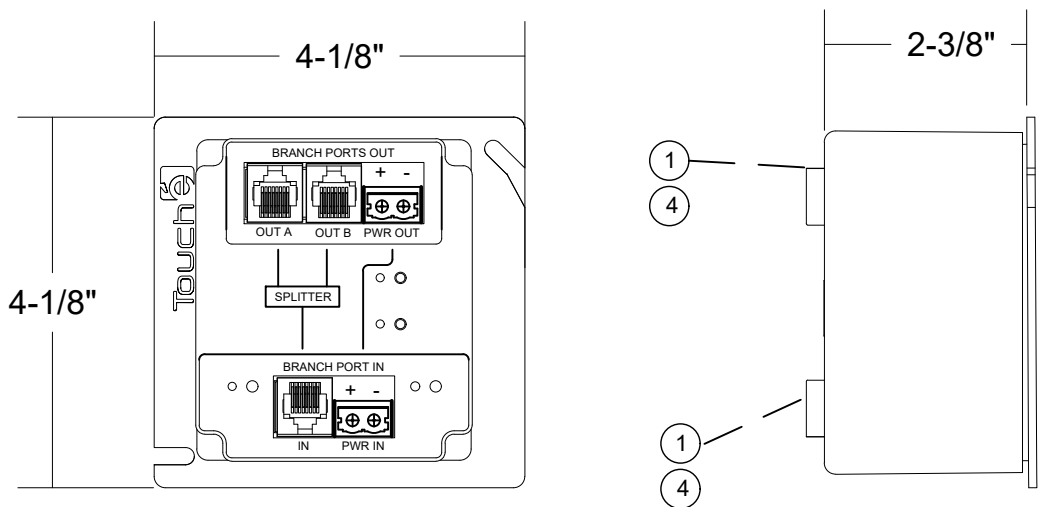
- ① BRANCH COMMUNICATION PORTS (RJ45)
- ② "BRANCH OUT" INDICATES COMMUNICATION STATUS PORTS A & B
- ③ "BRANCH IN" COMMUNICATION STATUS INDICATOR
- ④ BRANCH BOOSTER PORTS
- ⑤ VOLTAGE LEVEL INDICATOR
- ⑥ DEVICE MOUNTING SCREWS (NOT INCLUDED)
- ⑦ STANDARD 4"X4" ELECTRICAL JUNCTION BOX (NOT INCLUDED)



**é** FRONT OF SBB1 DEVICE  
SCALE: N.T.S.



**é** SBB1 DEVICE MOUNTING  
SCALE: N.T.S.



**é** SBB1 DEVICE DIMENSIONS  
SCALE: N.T.S.

**FUNCTION & INDICATION**

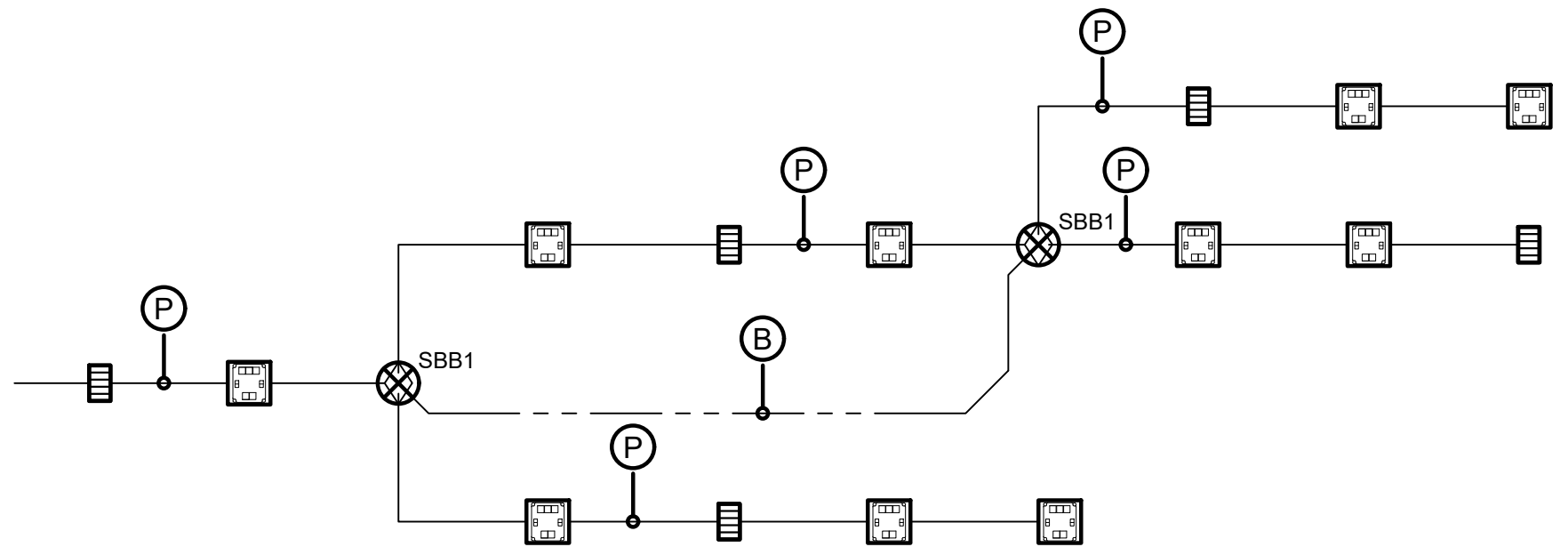
- Ⓐ COMM STATUS INDICATOR (BLUE)  
BLINKING: ACTIVE AND COMM IS OK  
OFF: NO COMM
- Ⓑ BRANCH VOLTAGE INDICATOR  
GREEN: >22VDC  
GREEN FLASHING: 20-22VDC  
GREEN/RED: 13-20VDC  
RED: < 13VDC

PART#	SBB1		
DESC.	PASSIVE BRANCH SPLITTER AND BOOSTER		
DWG#	1-SBB1 (1 OF 2)		
DATE:	7/20/17	REV. 1	DRAWING BY: BDM

www.touchecontrols.com  
phone: 1-888-841-4356

# Touché

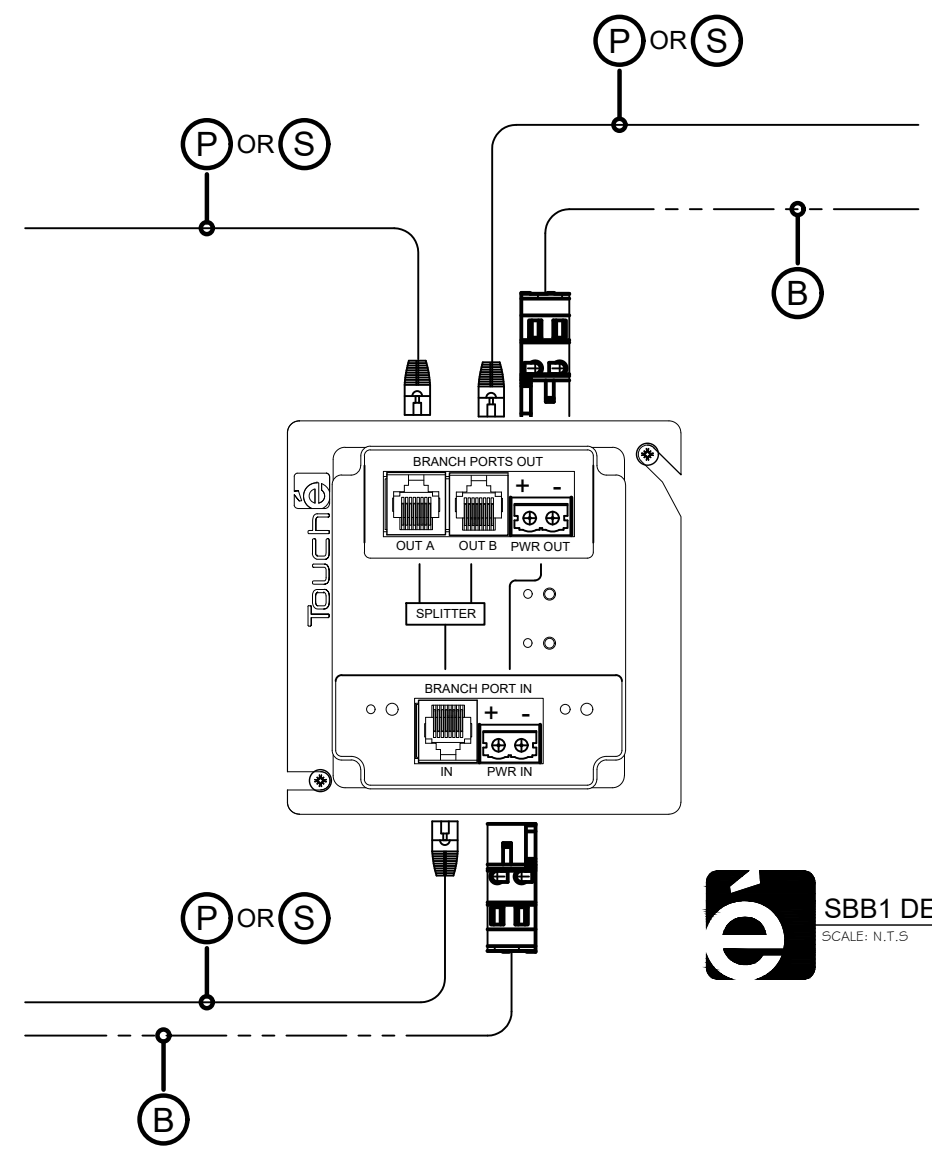
LIGHTING CONTROL



### LEGEND

- SPLITTER BOOSTER = SBB1
- LOCAL RELAY MODULE =
- TOUCH SCREEN SWITCH =

**TYPICAL SBB1 APPLICATION**  
SCALE: N.T.S



**SBB1 DEVICE WIRING**  
SCALE: N.T.S

CABLE TYPE SCHEDULE			
ID	DESCRIPTION	TYPE	NOTES
E	ETHERNET	CAT 5 (MIN)	MAXIMUM SEGMENT LENGTH IS 100 METERS (300').
P	PRIMARY NETWORK	CAT 5 (MIN)	TOTAL PRIMARY BRANCH LENGTH NOT TO EXCEED 2000' WITHOUT A BRANCH BOOSTER.
S	SECONDARY NETWORK	CAT 5 (MIN)	TOTAL SECONDARY BRANCH LENGTH NOT TO EXCEED 2000' WITHOUT A BRANCH BOOSTER.
M	SMART BUS NETWORK	CAT 5 (MIN)	TOTAL SMART BUS LENGTH NOT TO EXCEED 400' (BOOSTER NOT PERMITTED)
D	DIGITAL INPUT CABLE	18 GAUGE / 2C	
10	0-10V DIMMING	18 GAUGE / 2C	CONDUCTOR COLOR CODE: (+) VIOLET, (-) GRAY
B	BOOSTER CABLE	16 GAUGE / 2C	BOOSTER CABLE MUST NOT CROSS SEPARATE MASTER INTERFACES OR MFI INTERFACES.
X	DMX CABLE	24 GAUGE / 2C + SHLD	PIN 1 SHIELD, PIN 2 DATA -, PIN 3 DATA +
R	RS232 CABLE	FACTORY DB9	TOTAL LENGTH NOT TO EXCEED 30'
3	SENSOR CABLE	18 GAUGE / 3C	PHOTO CELL / OCC CABLE

PART#	SBB1		
DESC.	PASSIVE BRANCH SPLITTER AND BOOSTER		
DWG#	2-SBB1 (2 OF 2)		
DATE:	7/20/17	REV. 1	DRAWING BY: BDM

www.touchecontrols.com  
phone: 1-888-841-4356

# Touché

## LIGHTING CONTROL