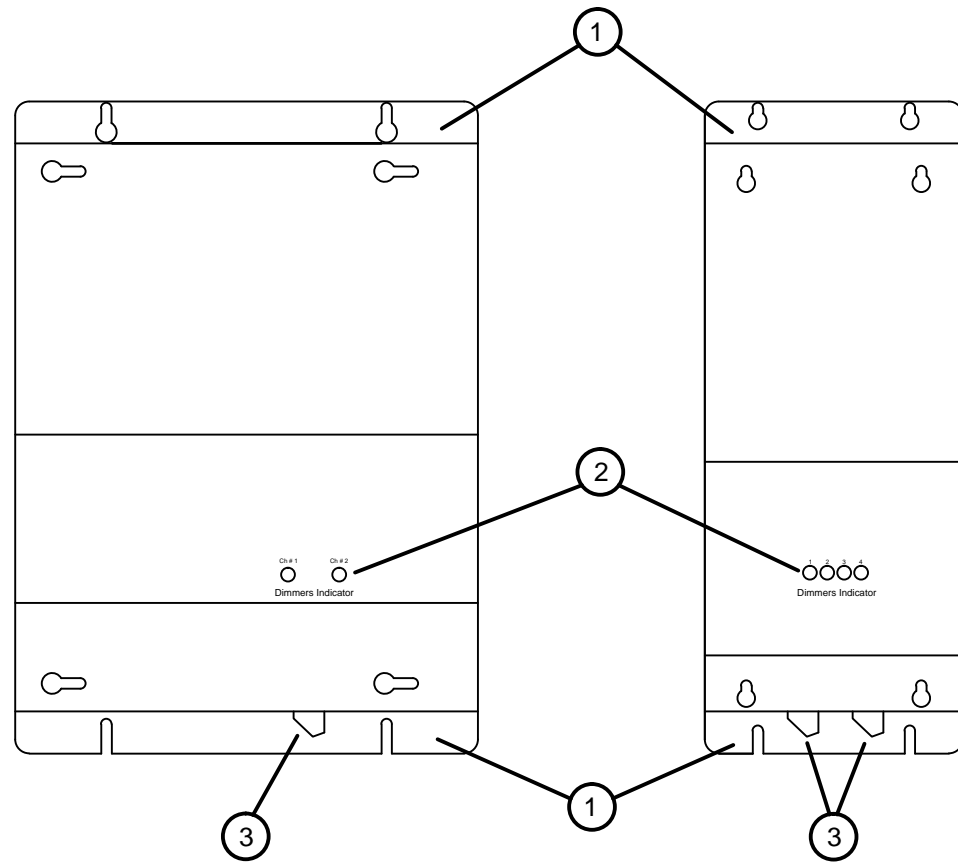


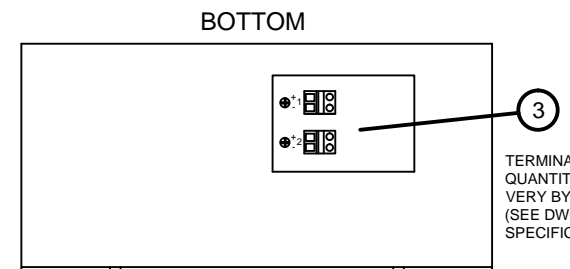
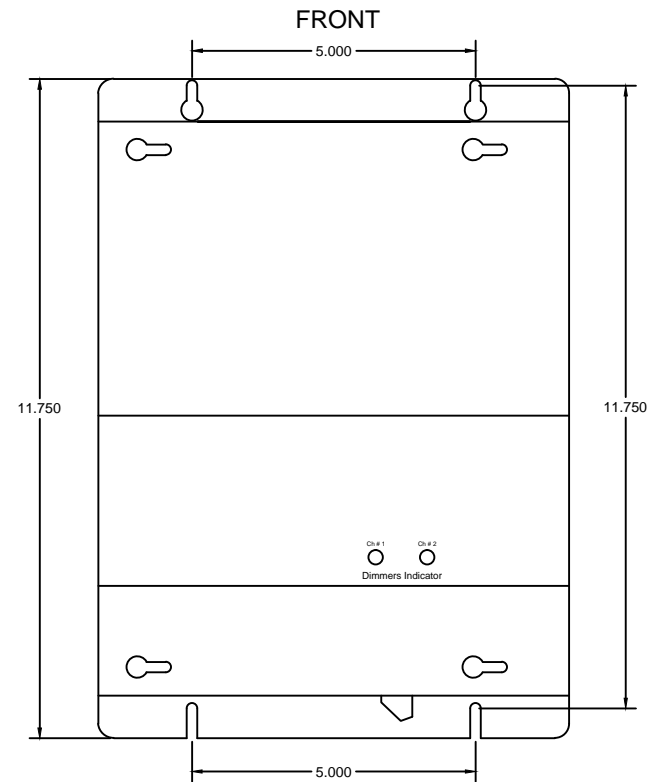
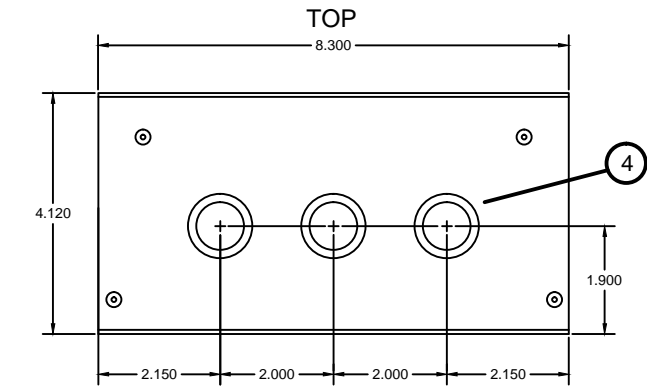
PAGE NOTES:

- ① MOUNTING FLANGE
- ② CHANNEL "ON" INDICATORS (QUANTITY OF INDICATORS TO MATCH CHANNEL COUNT)
- ③ 0-10V CONTROL INPUT TERMINATIONS
- ④ CONDUIT ENTRANCE "KNOCK-OUTS"



DP-2x16  
DP-4x8  
DP-8x5

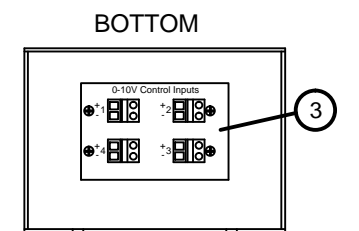
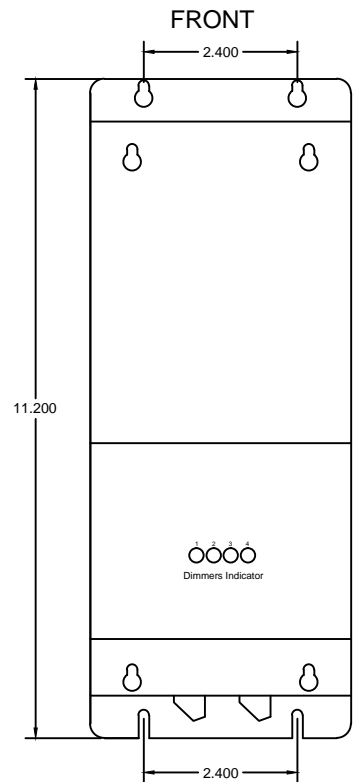
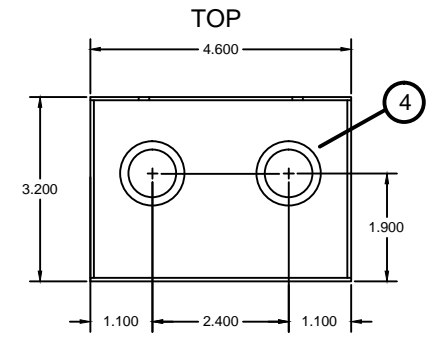
DP-4x5



DP-2x16  
DP-4x8  
DP-8x5



TERMINAL QUANTITY WILL VARY BY DP TYPE. (SEE DWG 4-DP FOR SPECIFICATIONS)



DP-4x5

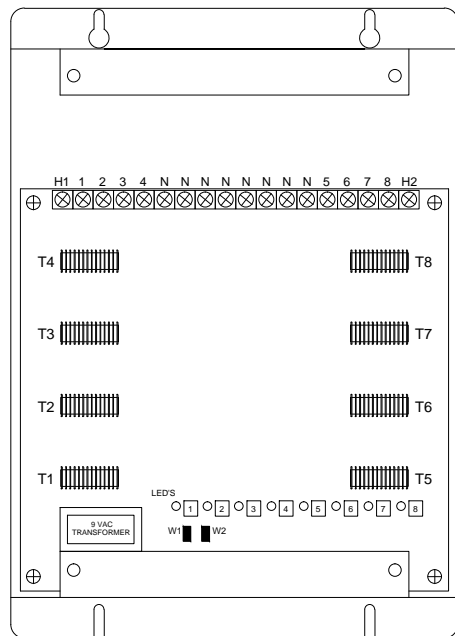


PART#	DP-[CH]-0/10-[VOLT]		
DESC.	LOCAL DIMMING PACKS (1 OF 4)		
DWG#	1-DP		
DATE:	2/15/16	REV.	16-11
		DRAWING BY:	TDP

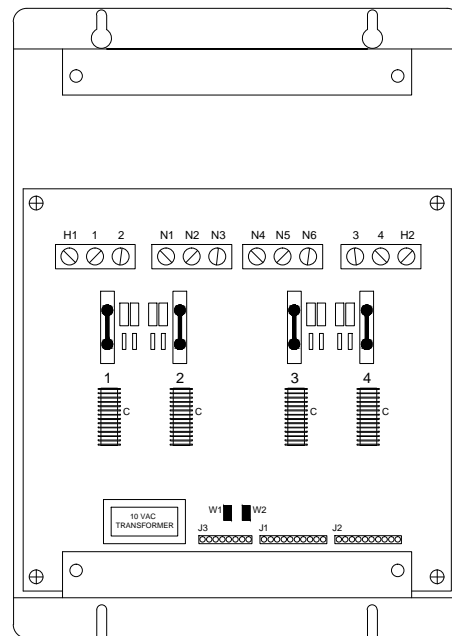
www.touchecontrols.com  
phone: 1-888-841-4356

# Touché

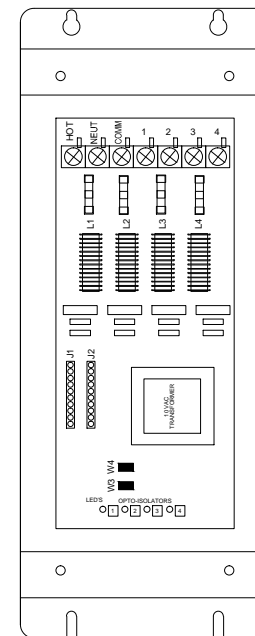
LIGHTING CONTROL



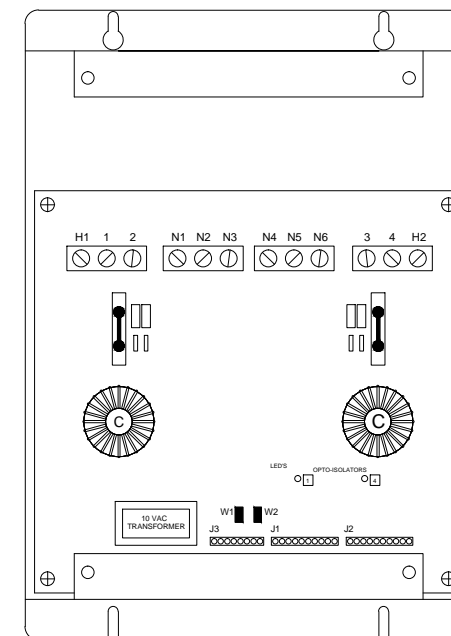
**INSIDE OF DP-8x5**  
SCALE: N.T.S



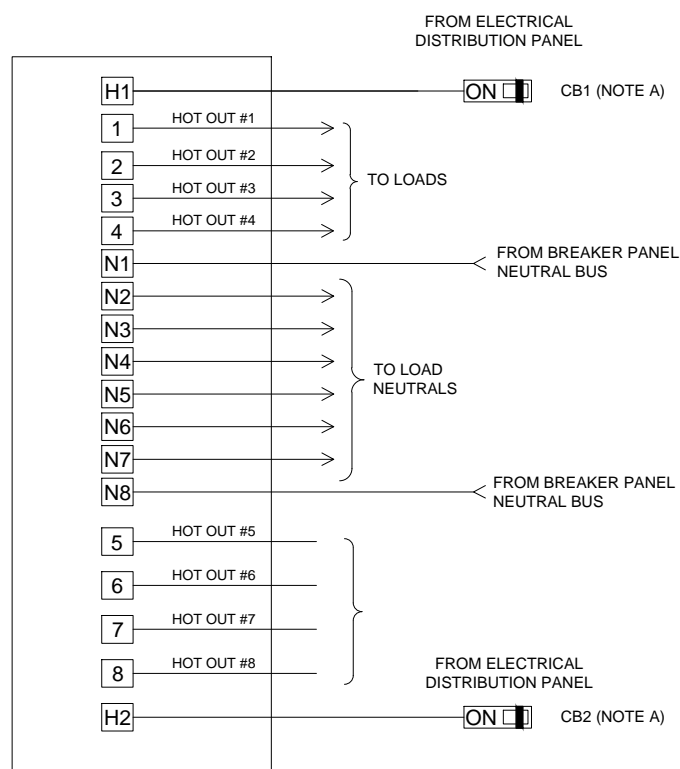
**INSIDE OF DP-4x8**  
SCALE: N.T.S



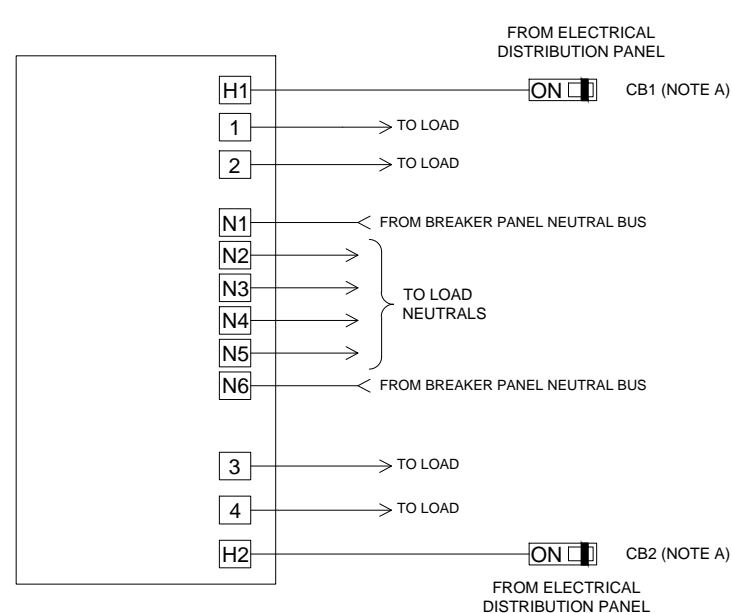
**INSIDE OF DP-4x5**  
SCALE: N.T.S



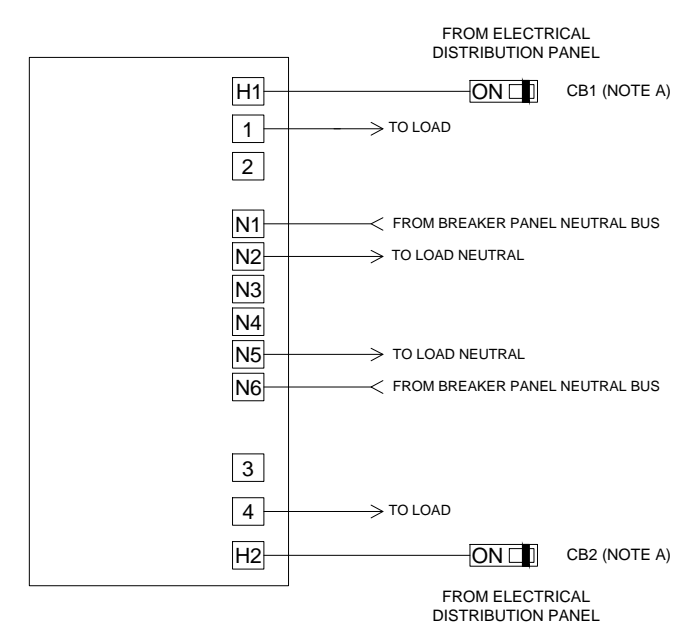
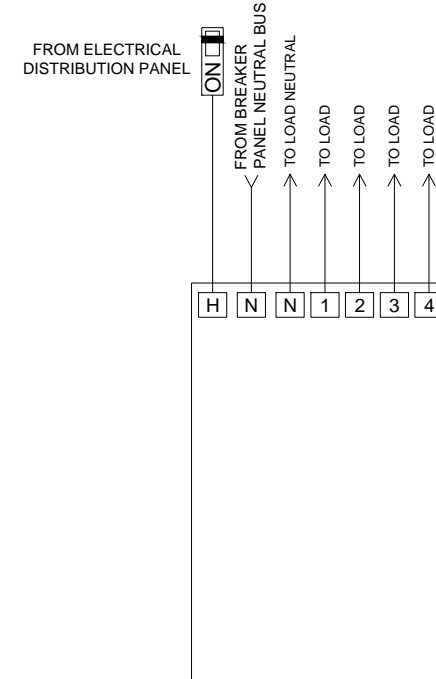
**INSIDE OF DP-2x16**  
SCALE: N.T.S



NOTE A:  
CB1 & CB2 MUST BE ON THE SAME PHASE



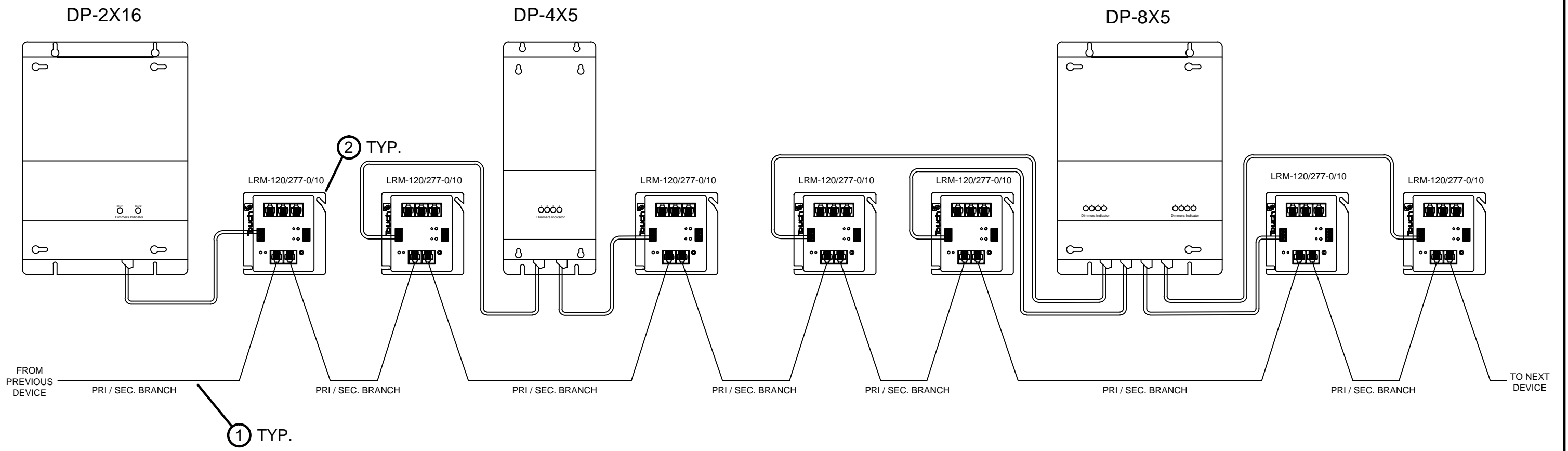
NOTE A:  
CB1 & CB2 MUST BE ON THE SAME PHASE



NOTE A:  
CB1 & CB2 MUST BE ON THE SAME PHASE

PART#	DP-[CH]-0/10-[VOLT]		
DESC.	LOCAL DIMMING PACKS (2 OF 4)		
DWG#	2-DP		
DATE:	2/15/16	REV.	16-11
		DRAWING BY:	TDP

www.touchecontrols.com  
phone: 1-888-841-4356  
**Touché**  
LIGHTING CONTROL



 **DP INTERCONNECT**  
SCALE: N.T.S

NOTES:

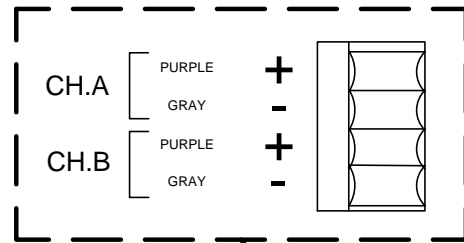
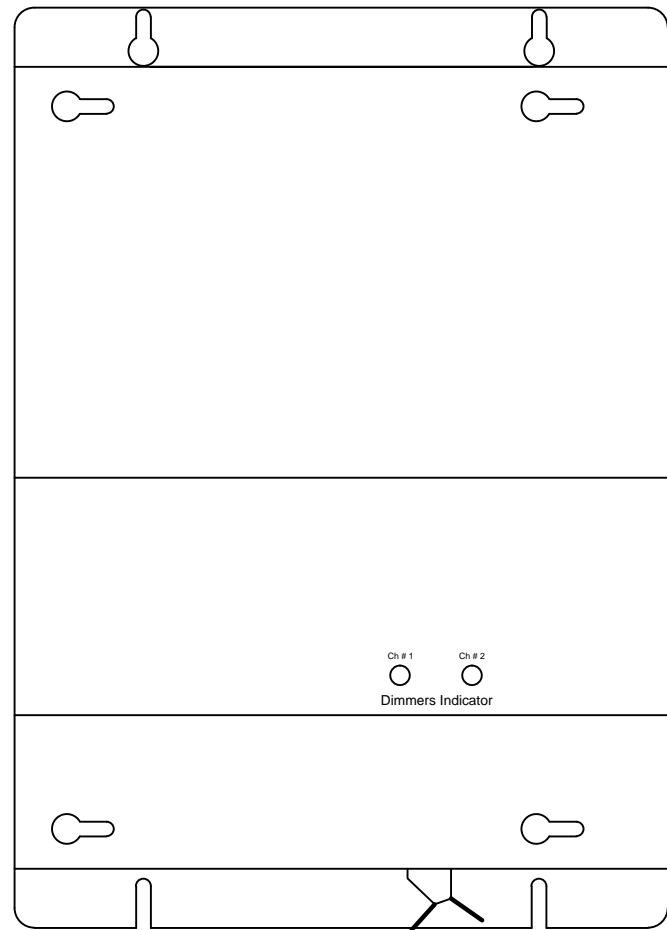
- ① SEE DRAWING 4-DP FOR MORE INFORMATION ON 0-10V INTERCONNECT.
- ② SEE LRM WIRING DIAGRAMS FOR MORE INFORMATION ON WIRING.

PART#	DP-[CH]-0/10-[VOLT]		
DESC.	LOCAL DIMMING PACKS (3 OF 4)		
DWG#	3-DP		
DATE:	2/15/16	REV.	16-11
		DRAWING BY:	TDP

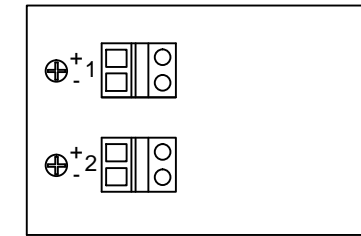
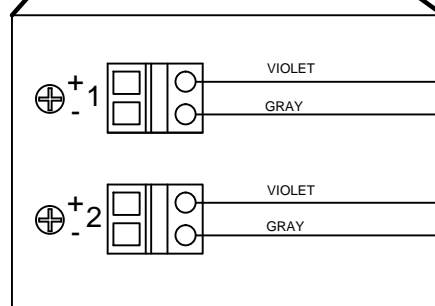
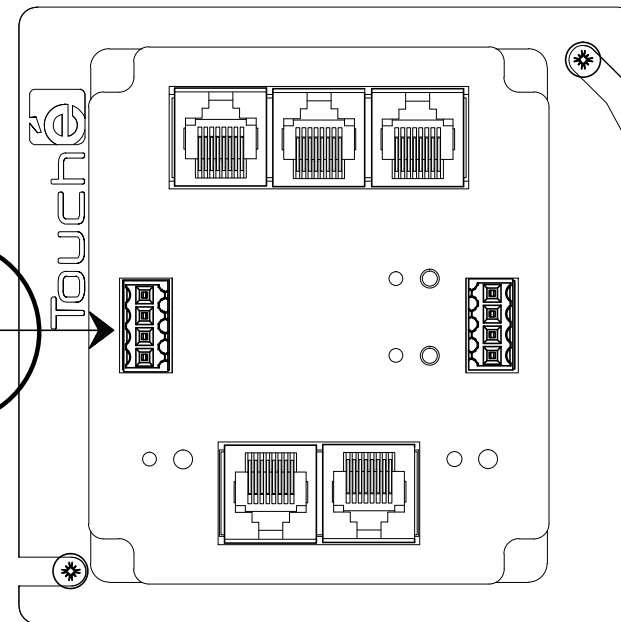
[www.touchecontrols.com](http://www.touchecontrols.com)  
 phone: 1-888-841-4356

**Touché**  
 LIGHTING CONTROL

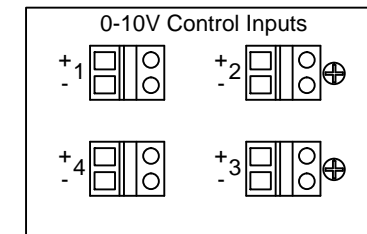
TYP 2-CHANNEL DP



LRM-120/277-0/10

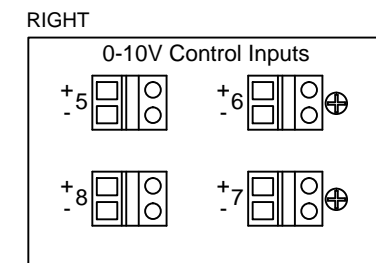
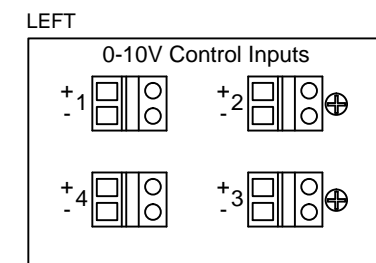


DP-2x16



DP-4x8

DP-4x5



DP-8x5



0-10V LRM TO DP CONNECTION  
SCALE: N.T.S.



DP 0-10V TERMINAL ARRANGEMENTS  
SCALE: N.T.S.

PART#	DP-[CH]-0/10-[VOLT]		
DESC.	LOCAL DIMMING PACKS (4 of 4)		
DWG#	4-DP		
DATE:	2/15/16	REV.	16-11
		DRAWING BY:	TDP

www.touchecontrols.com  
phone: 1-888-841-4356