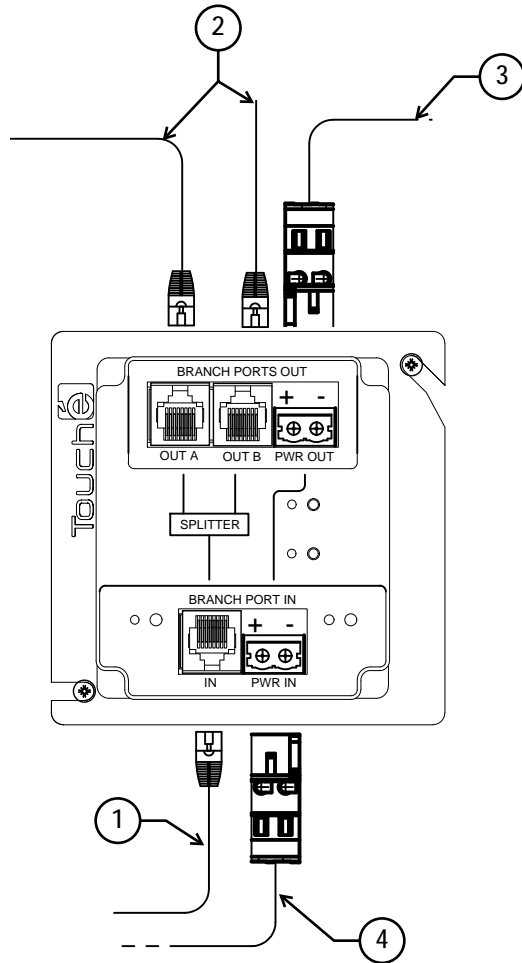
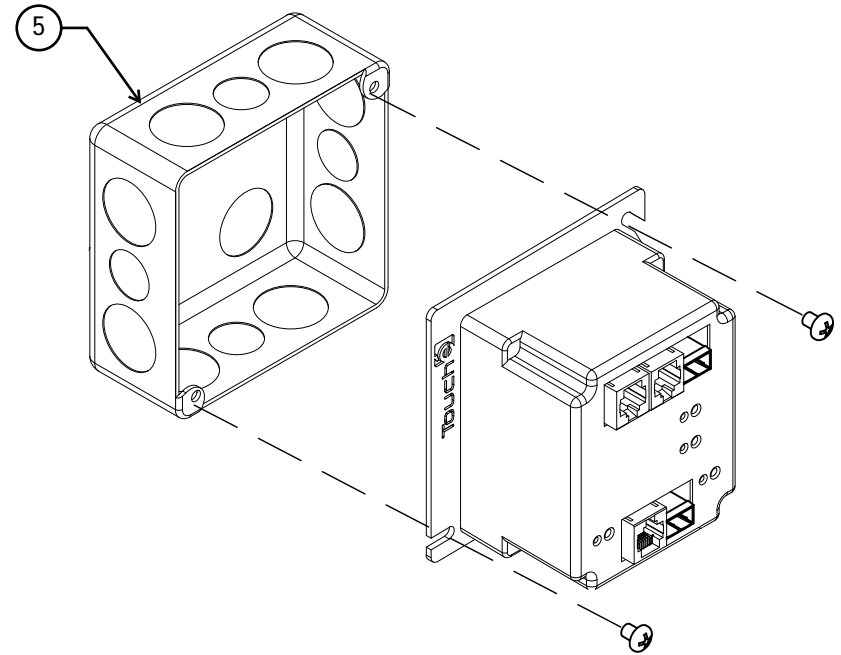


FRONT VIEW



MOUNTING



TIPS / NOTES

1. **BRANCH CABLE IN - MINIMUM CAT 5 CABLE - ENSURE CABLES ARE PLUGGED INTO BRANCH PORTS OF LRM'S - DO NOT CONNECT TO SMART PORTS**
2. **BRANCH CABLES OUT - MINIMUM CAT 5 CABLE - ENSURE CABLES ARE PLUGGED INTO BRANCH PORTS OF LRM'S - DO NOT CONNECT TO SMART PORTS**
3. **POWER OUT CONNECTION - MINIMUM 16/2 - CONNECT TO SECOND SBB1 POWER IN (IF APPLICABLE)**
4. **POWER IN CONNECTION - MINIMUM 16/2 - MUST CONNECT TO POWER OUT CONNECTION ON MASTER**
5. **STANDARD 4 SQUARE ELECTRICAL BOX**

CONNECTIVITY DIAGRAM

COMPONENT LIST

1. MSTR-DVOLT-2 (DOOR OPEN)
2. SBB1
3. LRM OR LIM
4. RD PANEL
5. SW-TS-M
6. SMOAS
7. TSUI
8. RM
9. WS-TS-C
10. SS-2B
11. SS-SF

CABLE LEGEND

- = éNET (CAT5)
- = BRANCH NETWORK (CAT 5)
- = SMART NETWORK (CAT 5)
- = 16/2 POWER CABLE

NOTE: ALL COMPONENTS MAY NOT BE PRESENT. DIAGRAM IS ONLY INTENDED TO SHOW CONNECTION POINTS BETWEEN COMPONENTS

