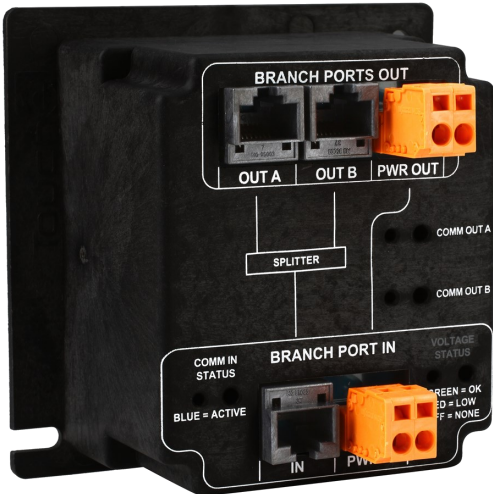


PRODUCT DATA SHEET

TOUCHÉ CONTROLS



SPLITTER / BRANCH BOOSTER

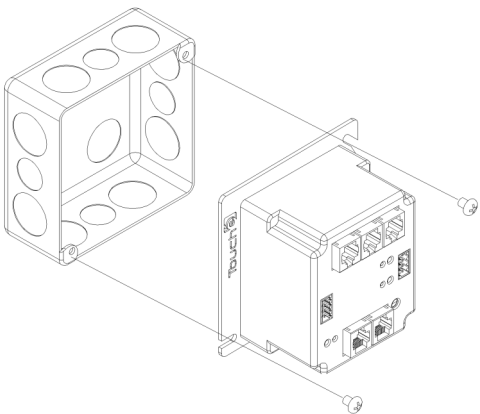


DESCRIPTION

Branch Splitter/Booster modules provide a convenient way to split or “T” the network branch. These modules can also be used to boost branch voltage when cable length concerns are present.

FEATURES

- One input CAT5 branch cable can be split into two output CAT5 branch runs using this device.
- The Splitter / Branch Booster also resets the cable length requirement of 2000’ per branch run. Using this device extends each branch run for up to 2000’ each.
- The Splitter / Branch Booster provides a convenient connection point for boosting the control power when excessive cable lengths or large quantities of devices becomes a concern.
- The Splitter / Branch Booster mounts to a standard 4” x 4” electrical junction boxes for simple installation.
- Control power is obtained from the input CAT5 cable so no line voltage is required with this device.



MOUNTS TO STANDARD 4”x4”
ELECTRICAL JUNCTION BOX
(JUNCTION BOX NOT INCLUDED)

Touché Controls (a Product of ESI Ventures)

A: 2085 Humphrey Street, Fort Wayne, IN 46803

T: 888-841-4356

W: www.ToucheControls.com

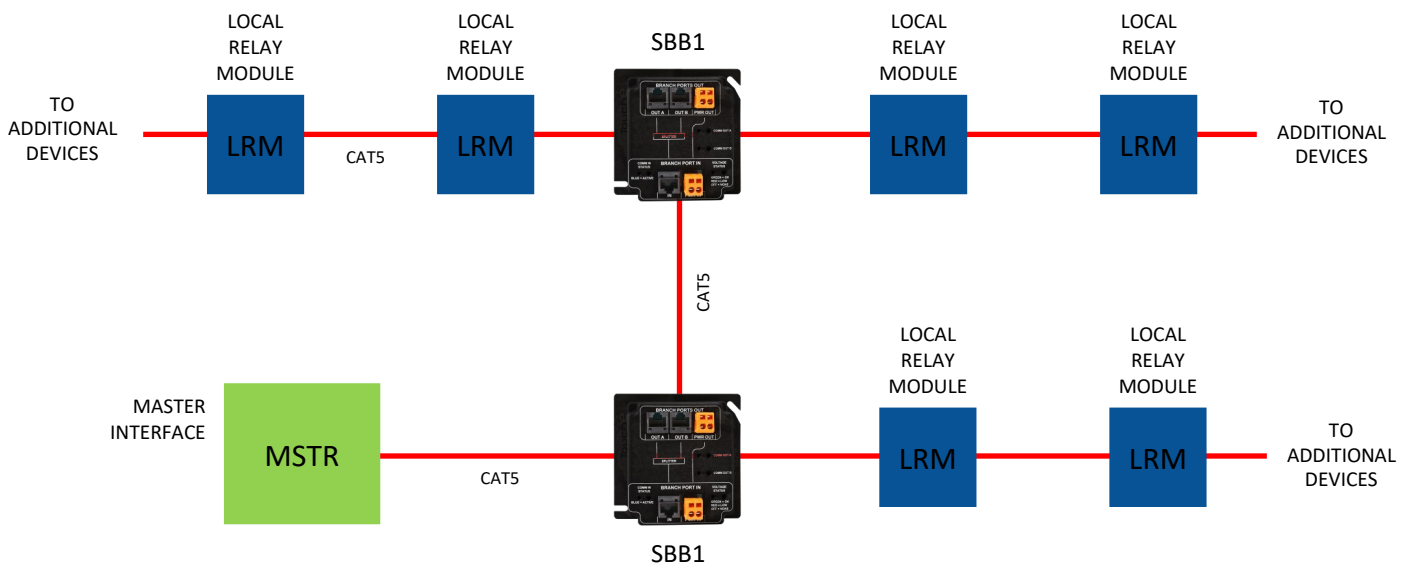
SPECIFICATIONS

VOLTAGE	24VDC - SOURCED FROM BRANCH NETWORK (NO EXTERNAL POWER SUPPLY REQUIRED)
CONNECTIVITY	CAT5 (MINIMUM)
LISTINGS	UL916, cUL916
AMBIENT TEMPERATURE	50C (122F)
MAXIMUM HUMIDITY	10 - 90%, NON-CONDENSING
ENCLOSURE	BLACK UL2043 PLENUM RATED THERMOPLASTIC

CATALOGUE NUMBER

DEVICE TYPE	TYPE
SBB Splitter & Branch Booster	1 Type 1—Passive Style

CONNECTIVITY



Touché Controls (a Product of ESI Ventures)

A: 2085 Humphrey Street, Fort Wayne, IN 46803

T: 888-841-4356

W: www.ToucheControls.com