

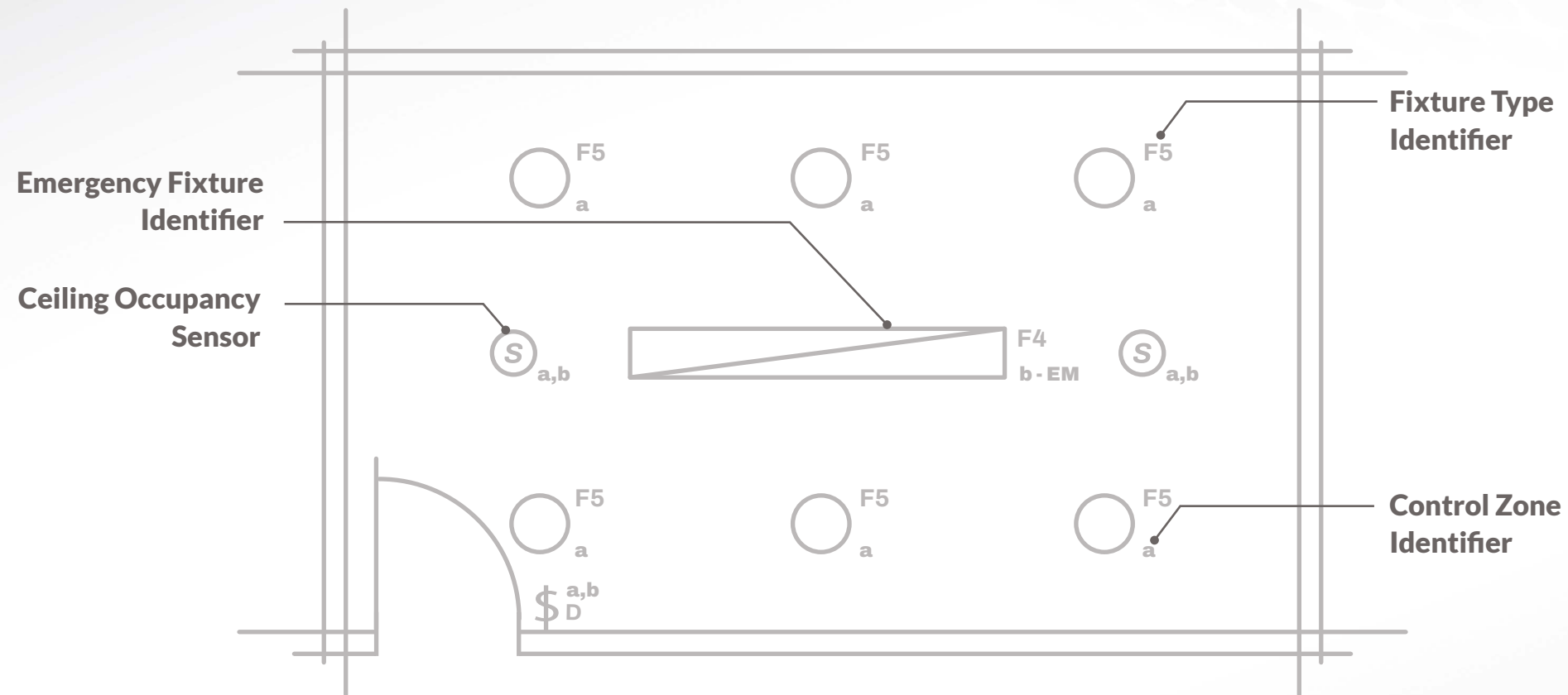


SPECIFIED DESIGN

CONFERENCE

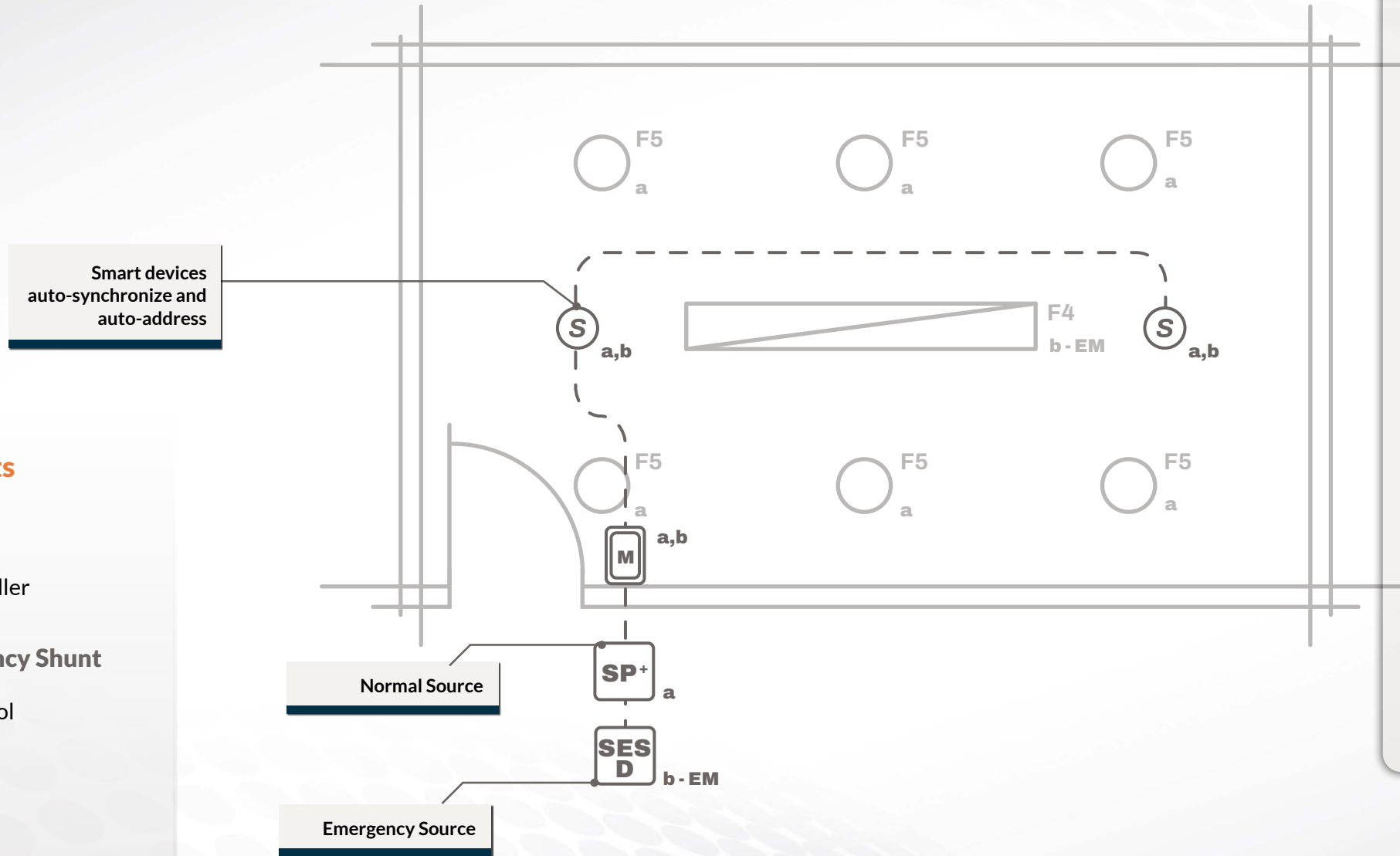
EXAMPLE #5

- Two zones of control
- Vacancy mode (manual-on / auto-off)
- Synchronized emergency channel with normal channel
- Emergency sourced fixtures shall automatically turn on to full brilliance upon loss of normal source.



Emergency sourced fixtures

In this example, the specifier wants the emergency sourced fixture to work in tandem with the normal sourced fixture. Emergency sources may be an emergency generator or a lighting inverter.



Touché Components



SmartPack+
Standalone Room Controller



Smart Emergency Shunt
Emergency Fixture Control



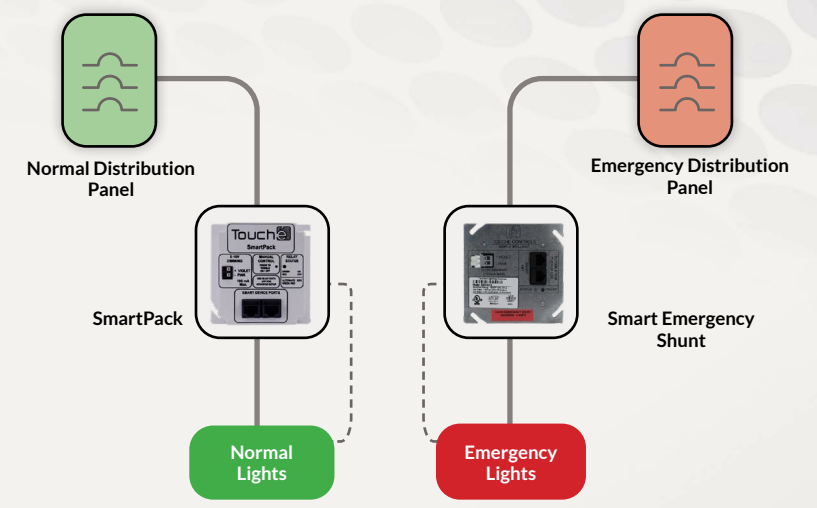
Wall Station
Color Mini



Smart Sensor
Dual technology (PIR/passive acoustic) occupancy / vacancy sensor with built-in photo sensor.

Cable Type

----- CAT5 (minimum)



Touché Emergency Fixture Control

- Unlike traditional emergency fixture control devices, Touché' does it better — click [here](#) for more details.
- Touché's UL924 listed devices provide a simplified approach to emergency fixture control. The need to bring different power sources to one device eliminating complicated wiring requirements.
- The SES and SESD modules auto coordinate to both the SmartPack and Room manager for seamless zone control