

TOUCHÉ LIGHTING CONTROL

# ONE SOLUTION™

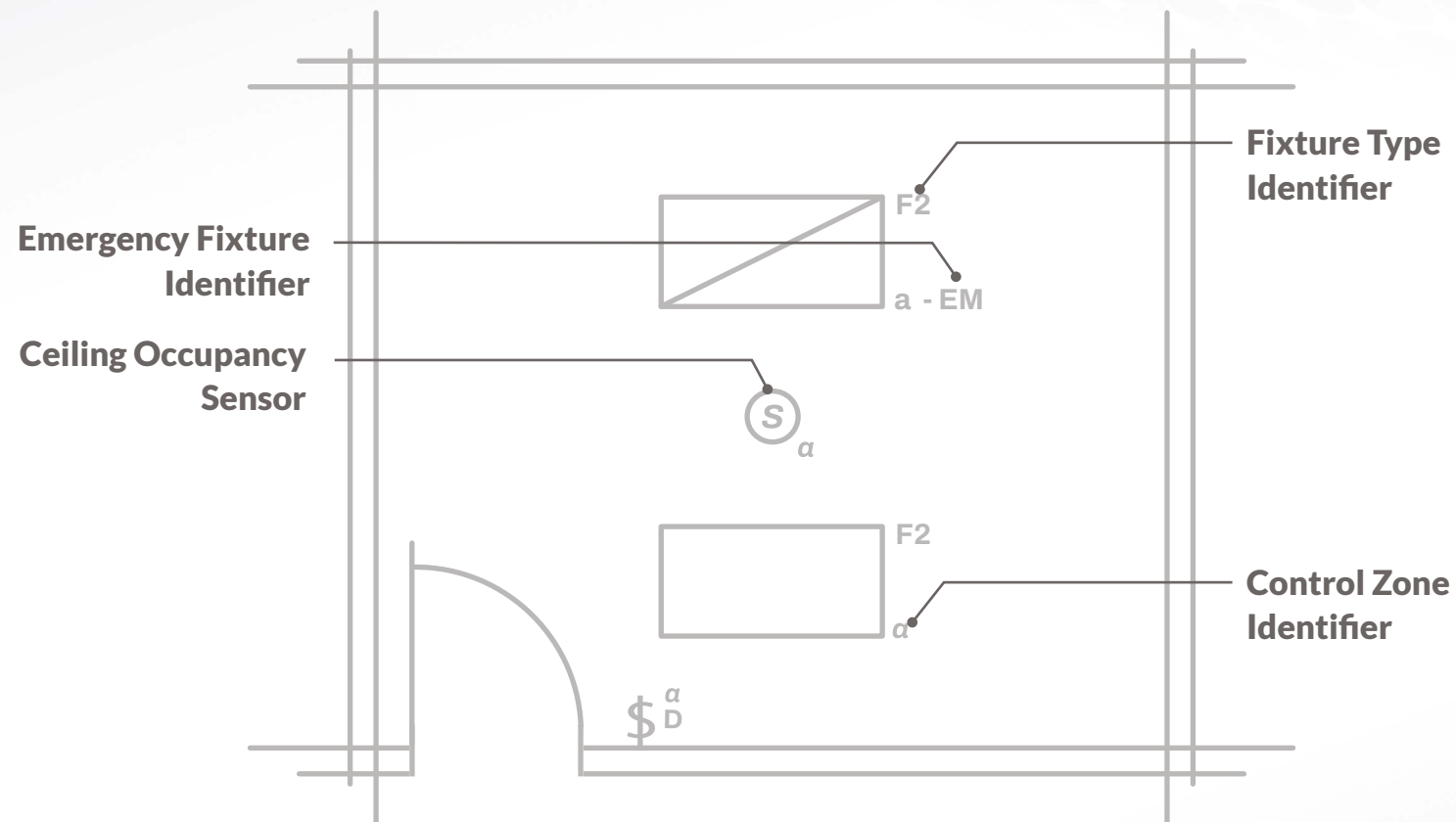


SPECIFIED DESIGN

## OFFICE

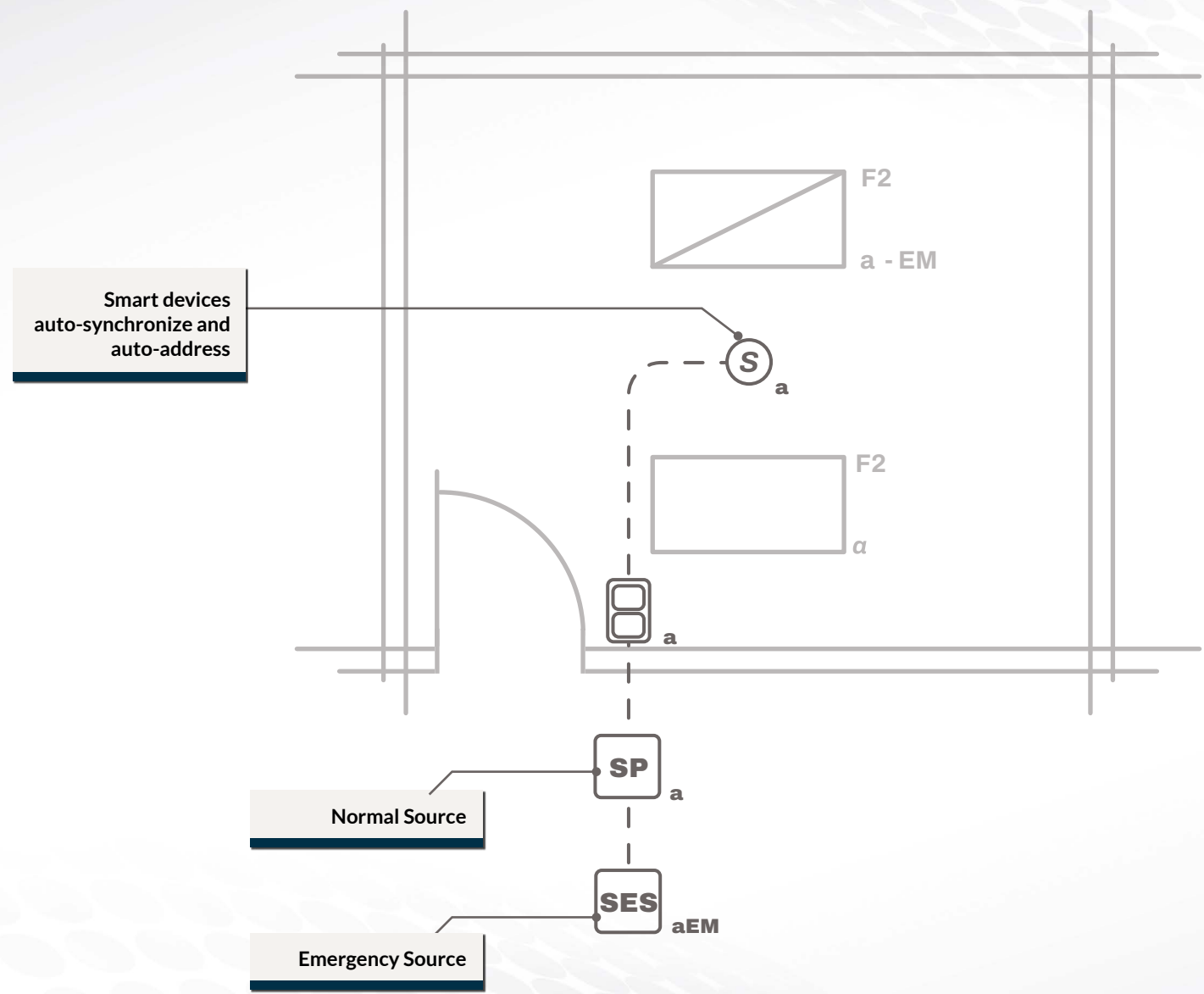
### EXAMPLE #4

- One zone of control
- Vacancy mode (manual-on / auto-off)
- Synchronized emergency channel with normal channel
- Emergency sourced fixtures shall automatically turn on to full brilliance upon loss of normal source.



### Emergency sourced fixtures

In this example, the specifier wants the emergency sourced fixture to work in tandem with the normal sourced fixture. Emergency sources could include an emergency generator or a lighting inverter.



## Touché Components



Standalone Room Controller



Emergency Fixture Control



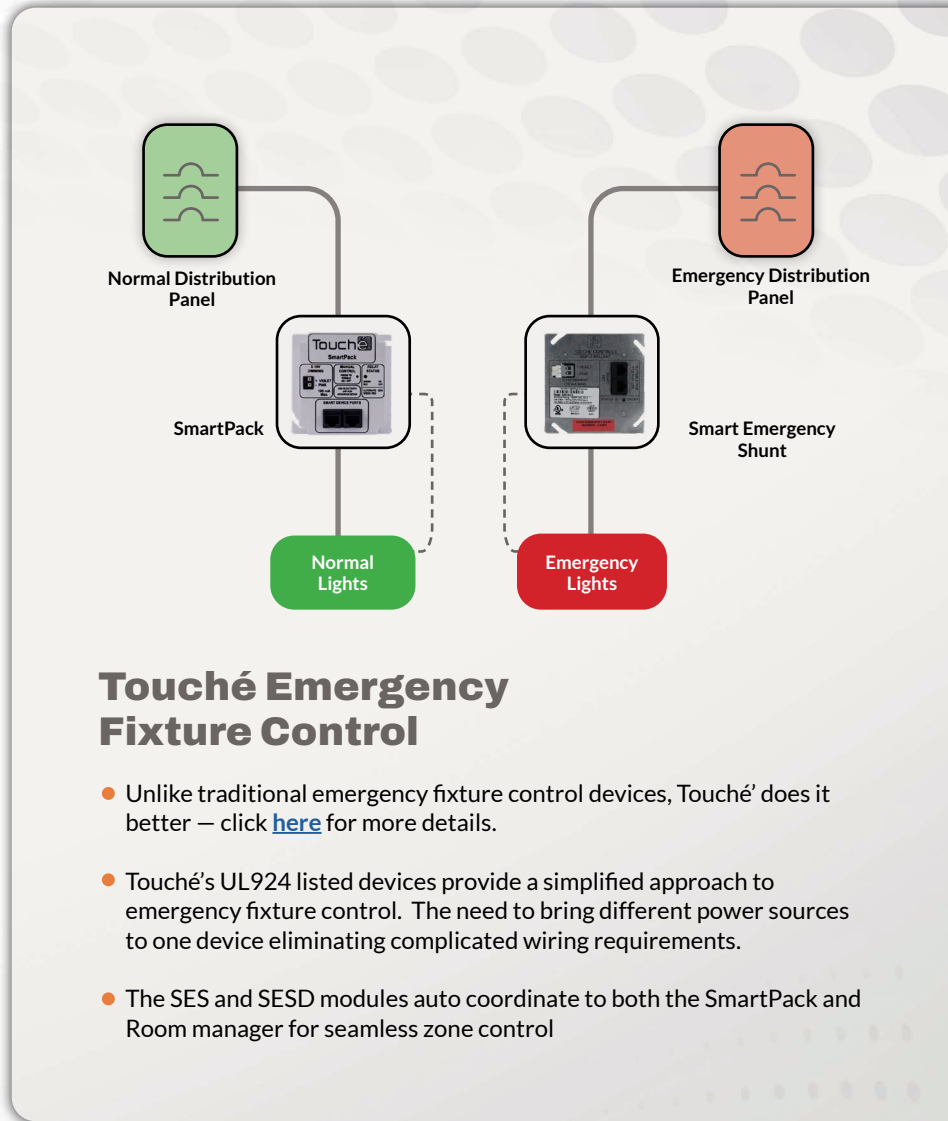
Decorator style



Dual technology (PIR/passive acoustic) occupancy / vacancy sensor with built-in photo sensor.

## Cable Type

----- CAT5 (minimum)



## Touché Emergency Fixture Control

- Unlike traditional emergency fixture control devices, Touché' does it better — click [here](#) for more details.
- Touché's UL924 listed devices provide a simplified approach to emergency fixture control. The need to bring different power sources to one device eliminating complicated wiring requirements.
- The SES and SESD modules auto coordinate to both the SmartPack and Room manager for seamless zone control