

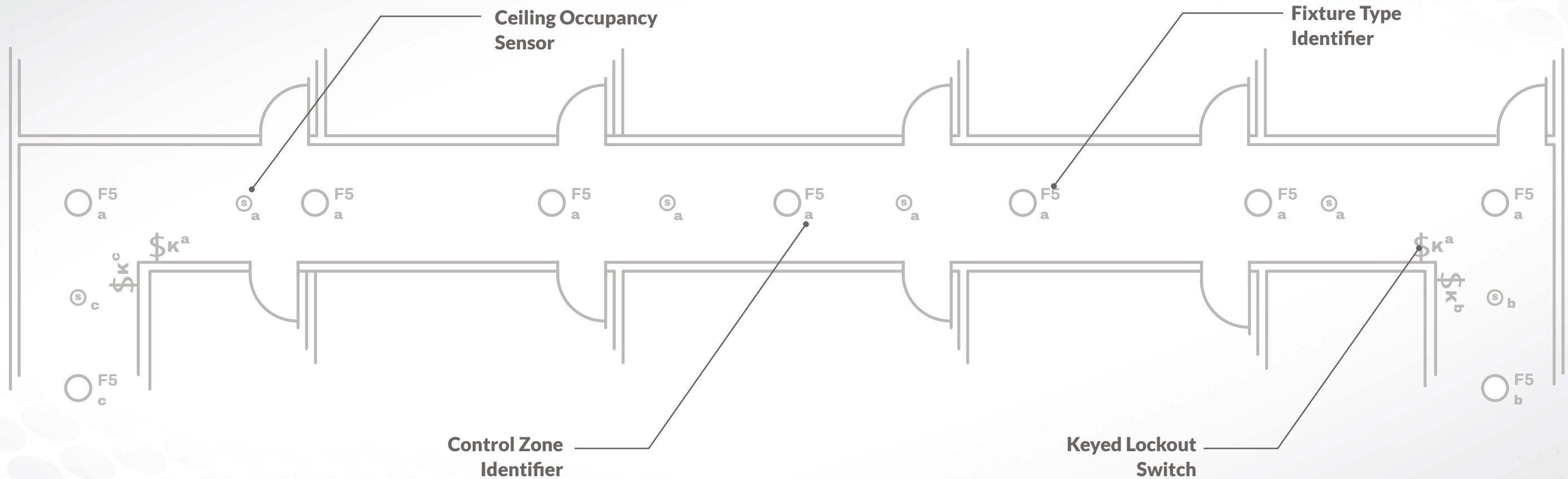
TOUCHÉ LIGHTING CONTROL

ONE SOLUTION™

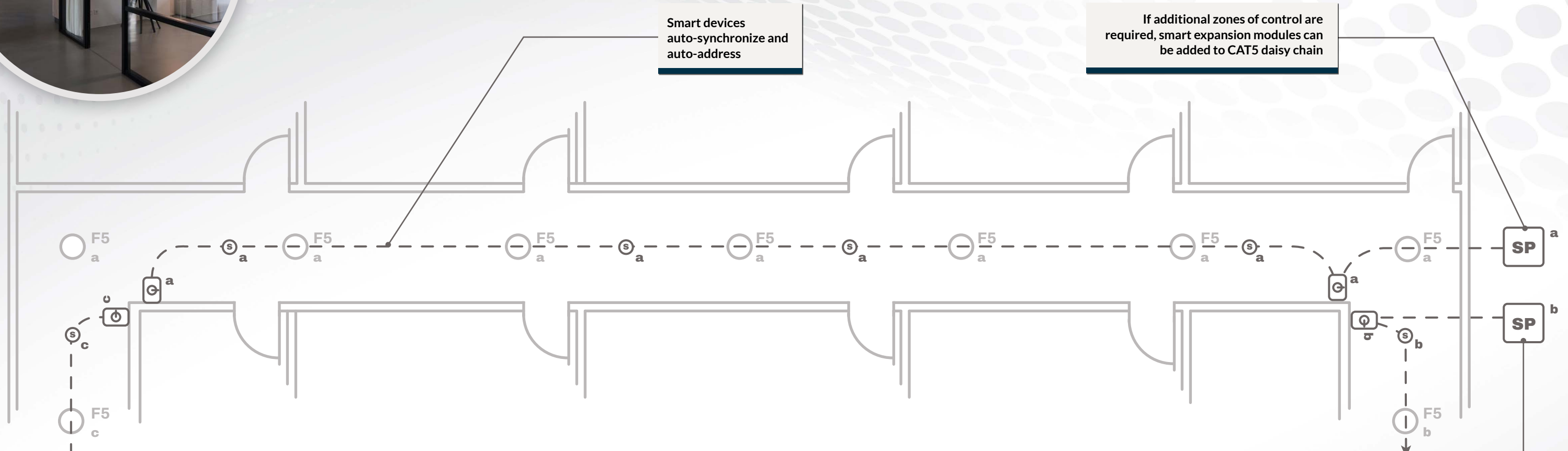


SPECIFIED DESIGN **HALLWAY** **EXAMPLE #2**

- One zone of control
- Occupancy mode (auto-on / auto-off)
- Keyed lockout switch



ONE SOLUTION™



From SP Controller to "c" hallway devices

To additional "b" hallway devices

Touché Components

SP SmartPack
Standalone Room Controller

G Smart Keyed Switch
Keyed Lockout Switch

S Smart Sensor

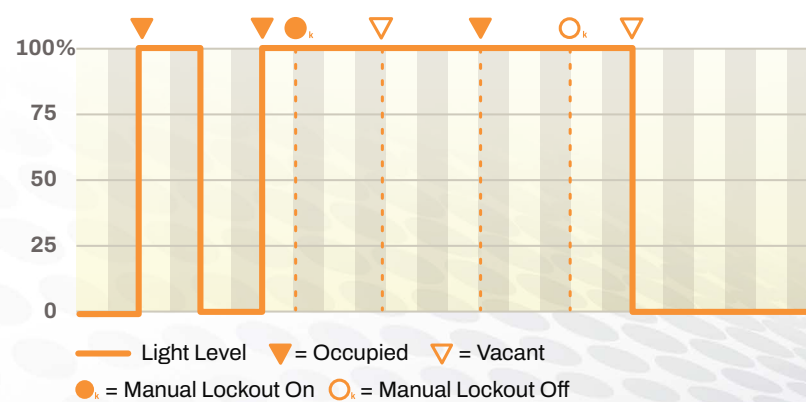
Dual technology (PIR/passive acoustic) occupancy / vacancy sensor with built-in photo sensor.

Cable Type

----- CAT5 (minimum)

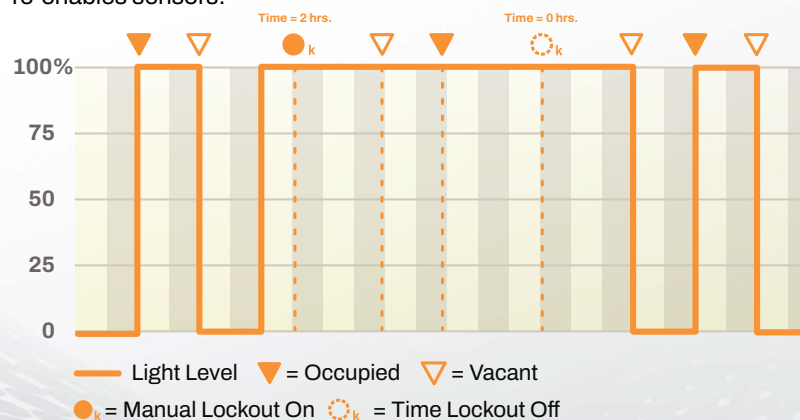
Occupancy with Manual Lockout

Occupancy turns the lights on and vacancy turns the lights off. Manual lockout on turns lights on and disables sensors, manual lockout off re-enables sensors.



Occupancy with Timed Lockout

Occupancy turns the lights on and vacancy turns the lights off. Manual lockout on turns lights on and disables sensors, expiration of timelockout re-enables sensors.



If additional zones of control are required, smart expansion modules can be added to CAT5 daisy chain

The SmartPack auto-configures to occupancy mode with no wall stations connected