

TOUCHÉ LIGHTING CONTROL

ONE SOLUTION™

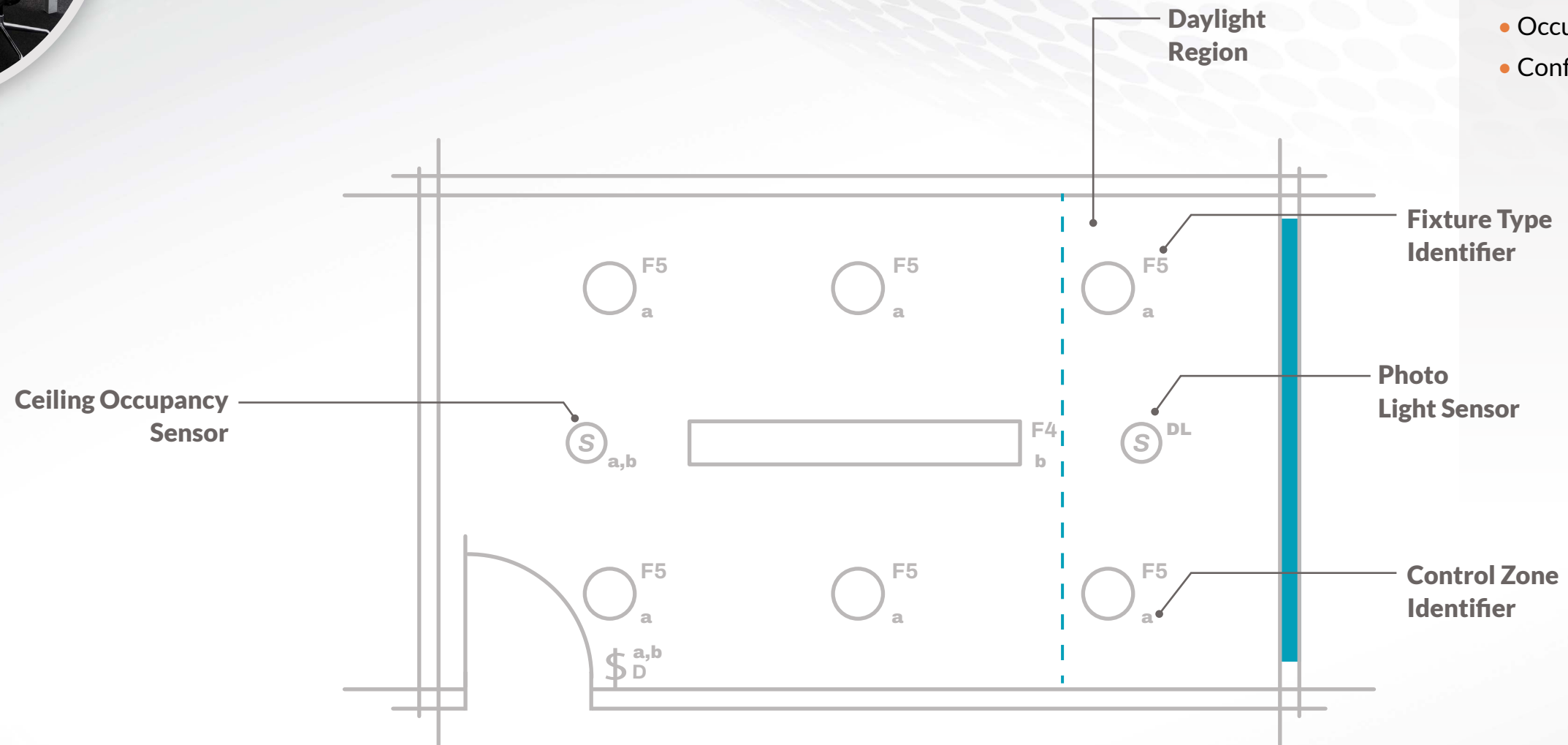


SPECIFIED DESIGN

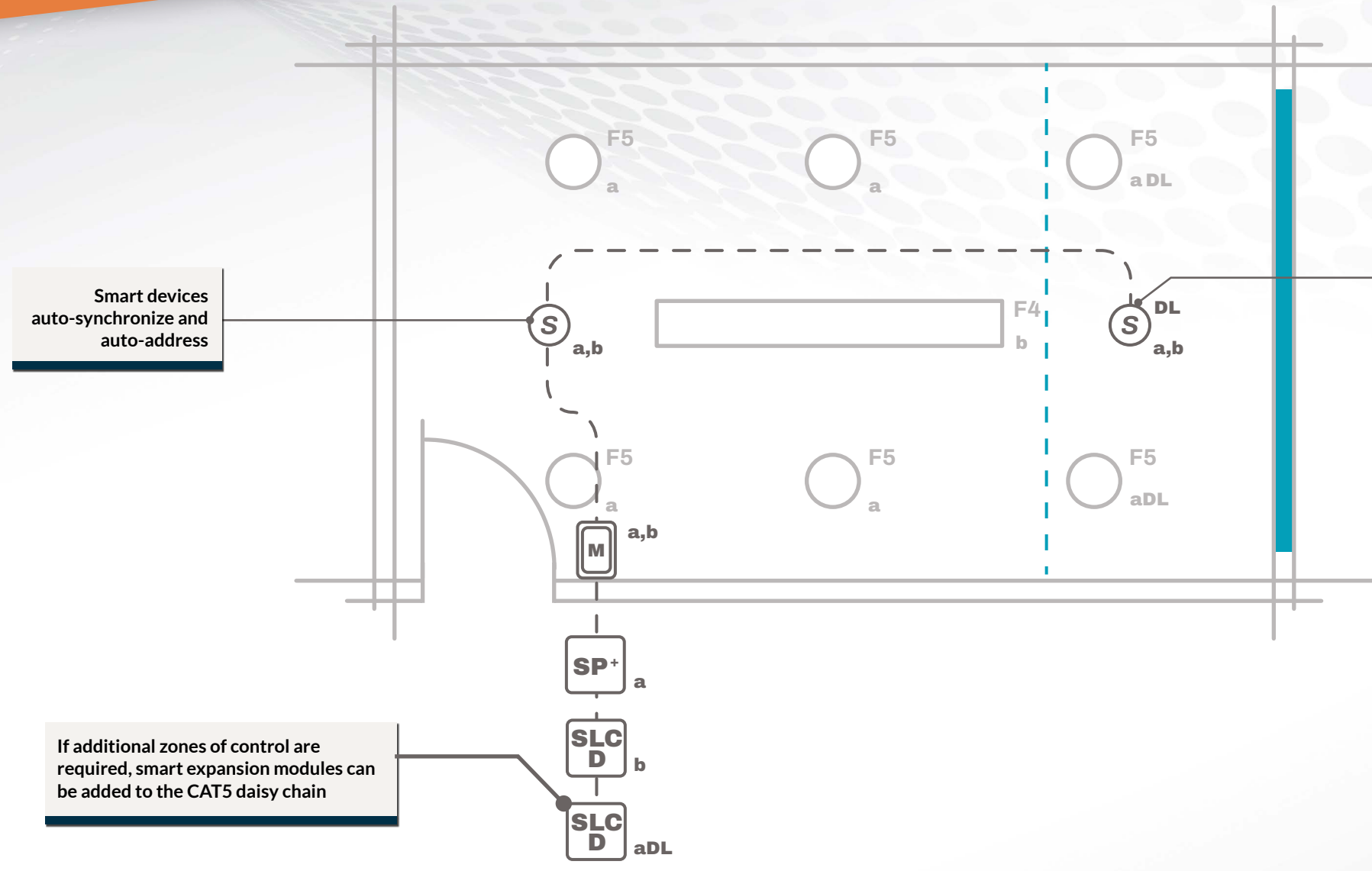
CONFERENCE

EXAMPLE #2

- Two zones of control
- Occupancy mode (auto-on / auto-off)
- Conference in daylight region



ONE SOLUTION™



Touché's smart sensor is a combination photo sensor and occupancy sensor. This results in better occupancy detection without adding an additional sensor.

Touché Components

SP+ SmartPack+

Standalone Room Controller

M Wall Station

Color Mini

SLC D Smart Load Control

Dimmable

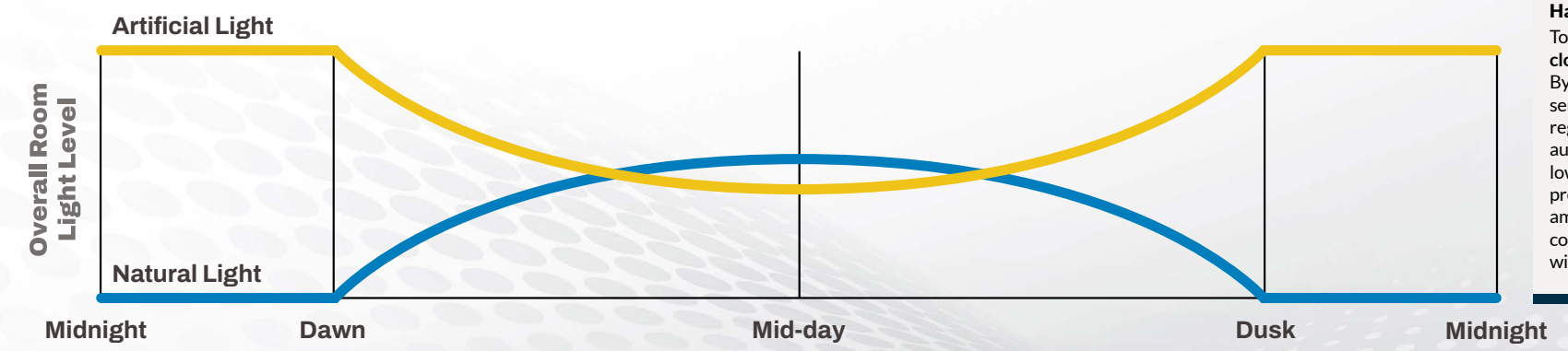
S Smart Sensor

Dual technology (PIR/passive acoustic) occupancy / vacancy sensor with built-in photo sensor.

Cable Type

----- CAT5 (minimum)

Daylight Harvesting Graphic



How does Daylight Harvesting Work?
 Touché uses the preferred closed-loop approach. By simply placing the sensor in the daylight region, the room controller automatically raises and lowers the artificial light proportionally to the amount of natural light coming in through the window.