

TOUCHÉ LIGHTING CONTROL

ONE SOLUTION™

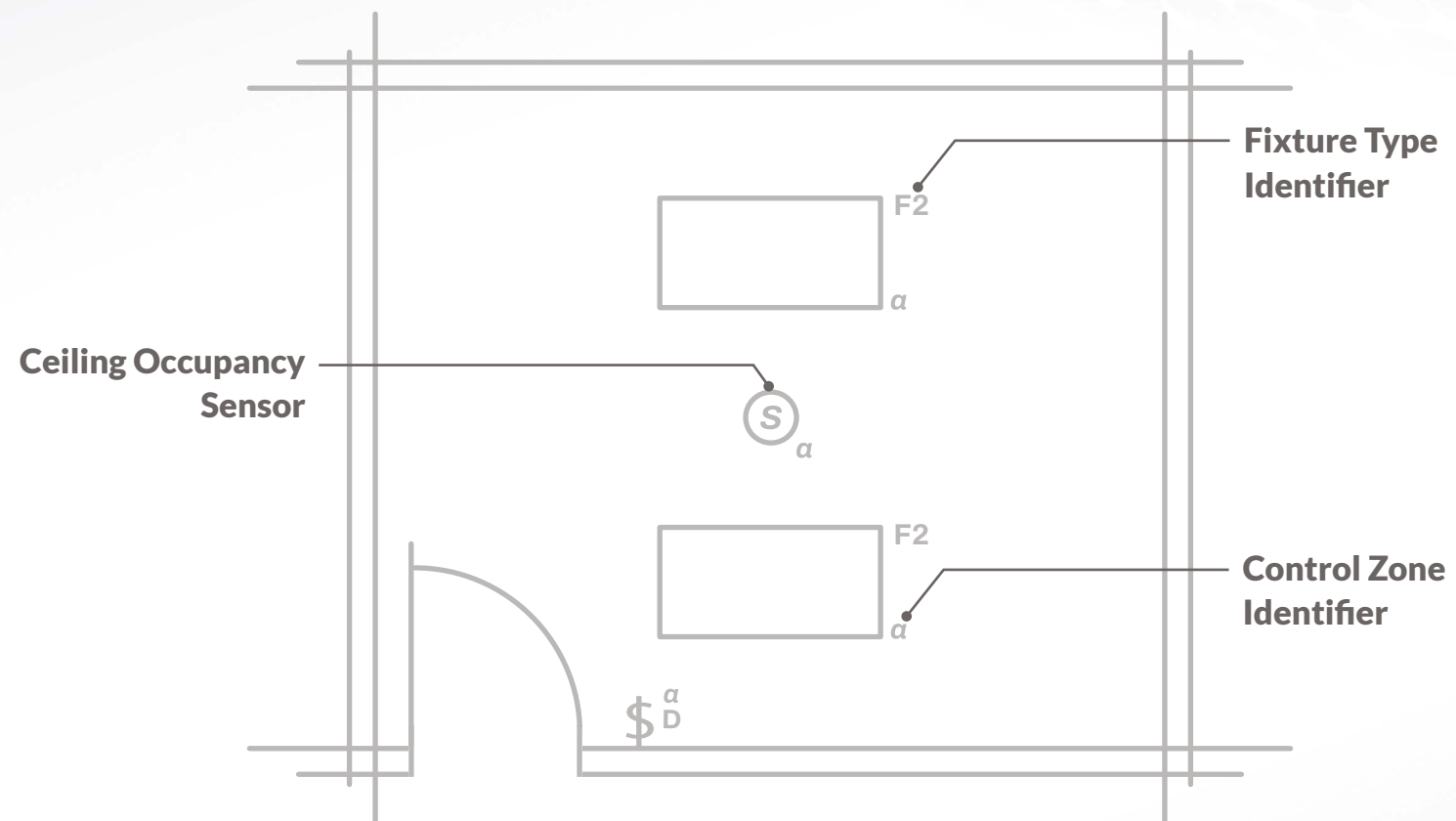


SPECIFIED DESIGN

OFFICE

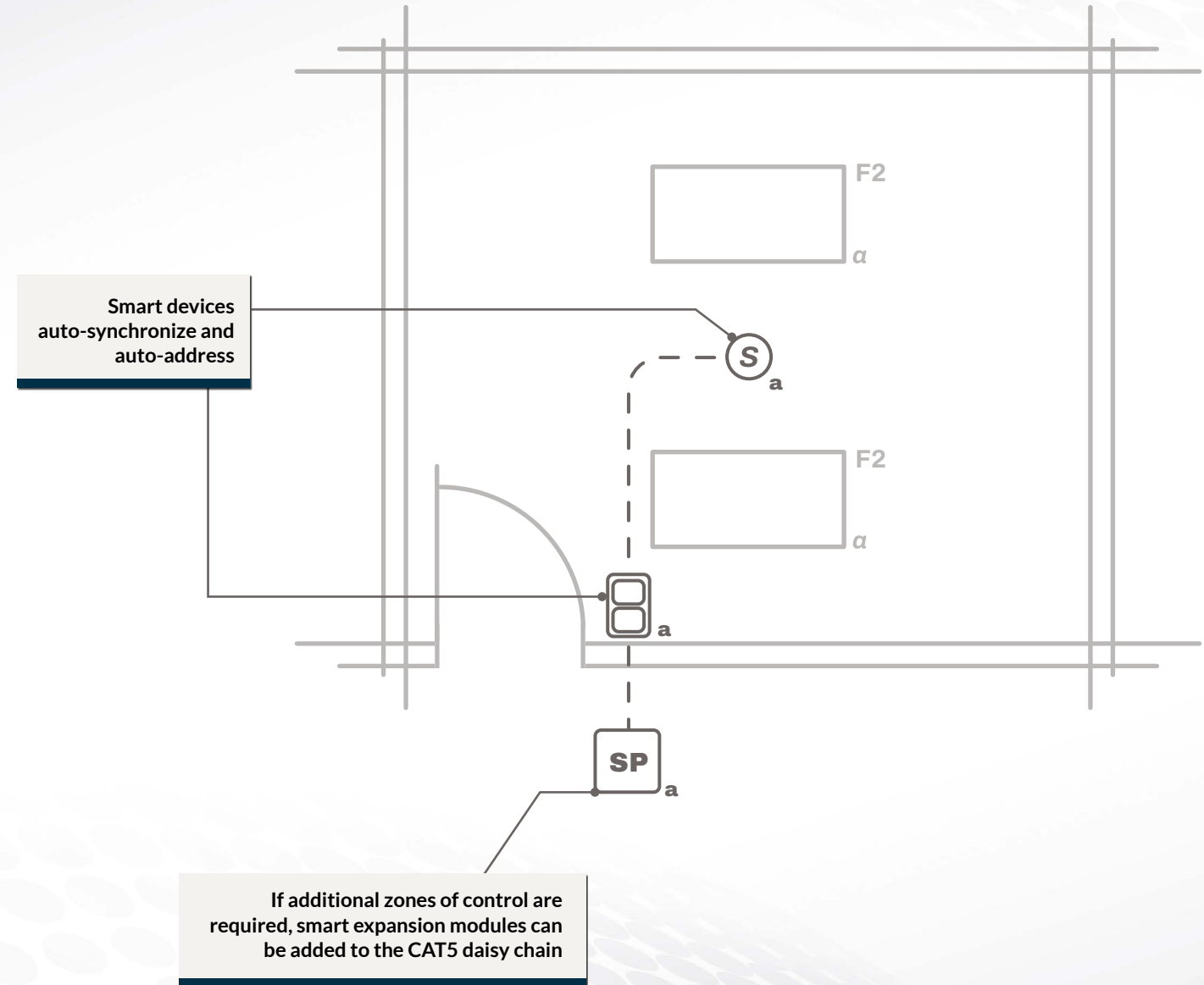
EXAMPLE #1

- One zone of control
- Vacancy mode (manual-on / manual-off)



TOUCHÉ LIGHTING CONTROL

ONE SOLUTION™



Touché Components

SP SmartPack

Standalone Room Controller

Smart Switch

Decorator

S Smart Sensor

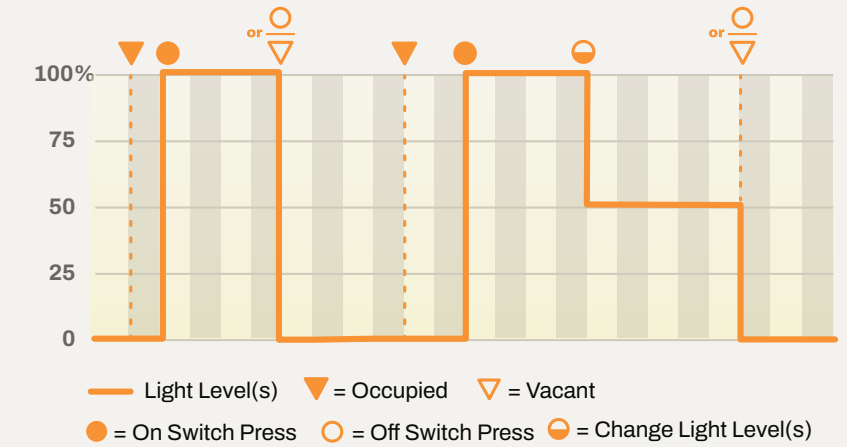
Dual technology (PIR/passive acoustic) occupancy / vacancy sensor with built-in photo sensor.

Cable Type

----- CAT5 (minimum)

Vacancy Control

A switch button press turns the lights on and a vacancy event from the sensor turns the lights off. The switch is also used to change the light level(s) or force the lights off.



Step Down Vacancy

Occupancy turns the lights on, lights dim down when vacant, and turn off after additional delay. If occupancy is detected during step down period, lights will go back to previous value.

