

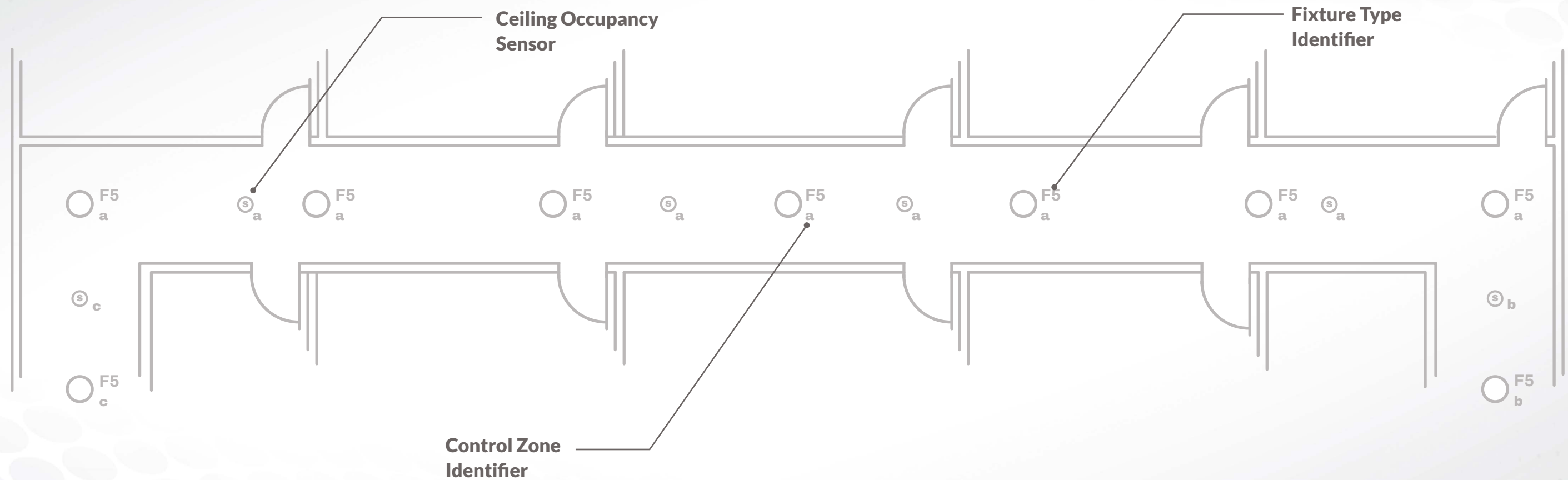
TOUCHÉ LIGHTING CONTROL

ONE SOLUTION™



SPECIFIED DESIGN
HALLWAY
EXAMPLE #1

- One zone of control
- Occupancy mode (auto-on / auto-off)

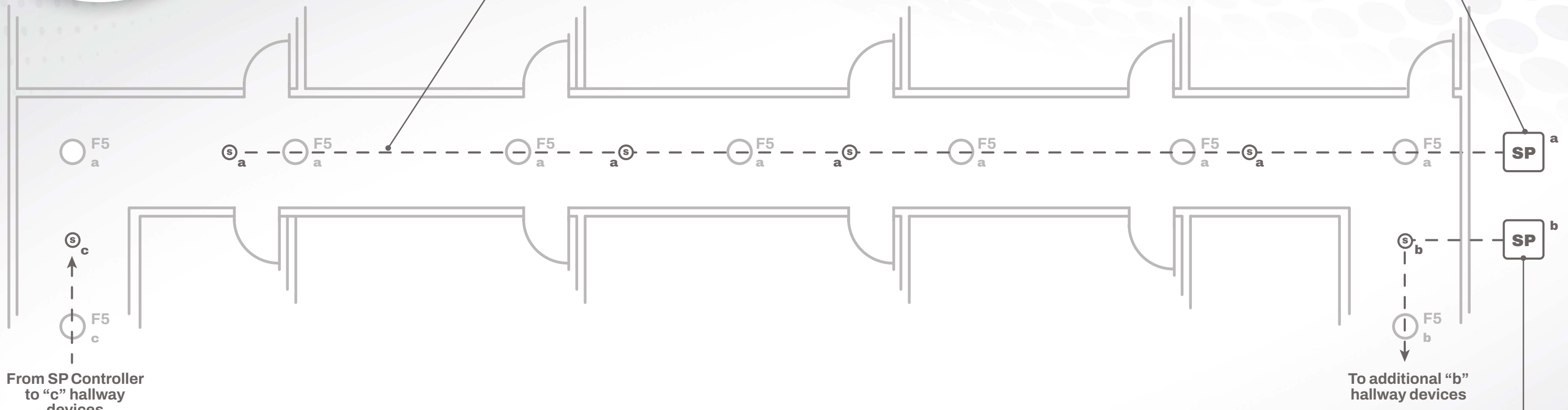


ONE SOLUTION™



Smart devices auto-synchronize and auto-address

If additional zones of control are required, smart expansion modules can be added to CAT5 daisy chain



From SP Controller to "c" hallway devices

To additional "b" hallway devices

Touché Components

SP SmartPack
Standalone Room Controller

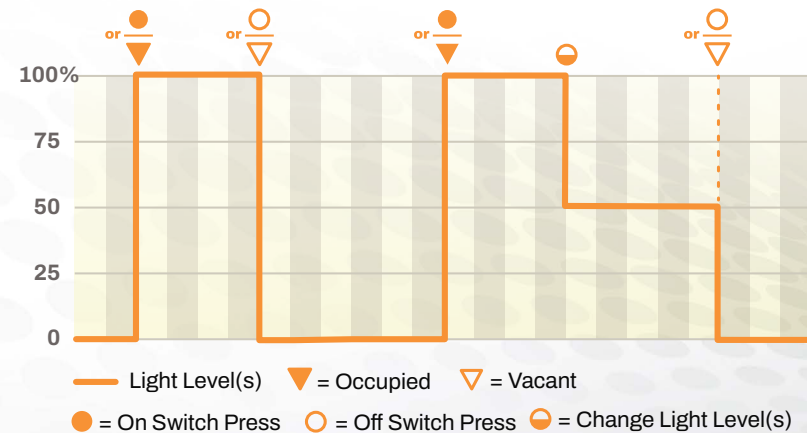
S Smart Sensor
Dual technology (PIR/passive acoustic) occupancy / vacancy sensor with built-in photo sensor.

Cable Type

----- CAT5 (minimum)

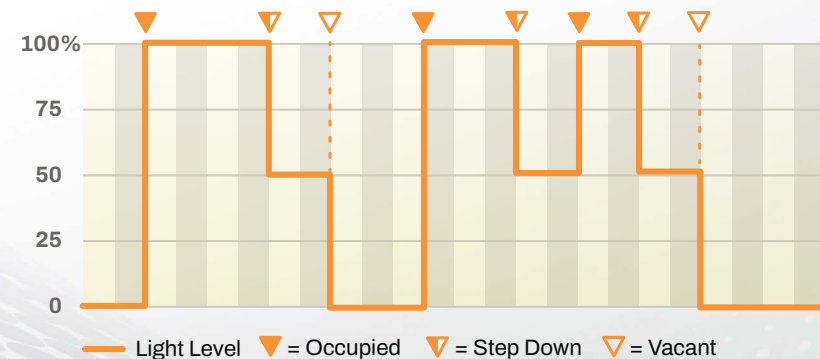
Occupancy Control

An occupancy event from the sensor turns the lights on and a vacancy event turns the lights off. The switch is used to change the light level(s) or force the lights off.



Step Down Occupancy Control

Occupancy turns the lights on, lights dim down when vacant, and turn off after additional delay.



The SmartPack auto-configures to occupancy mode with no wall stations connected