

TOUCHÉ LIGHTING CONTROL

ONE SOLUTION™

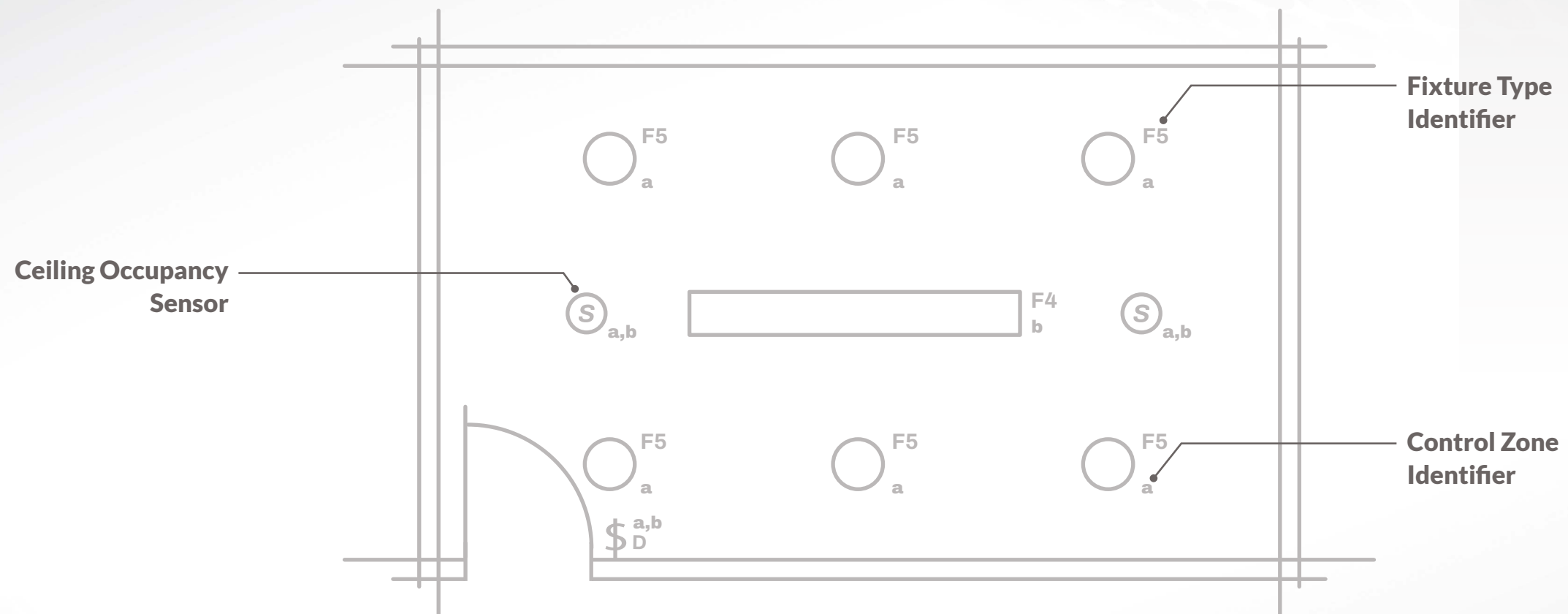


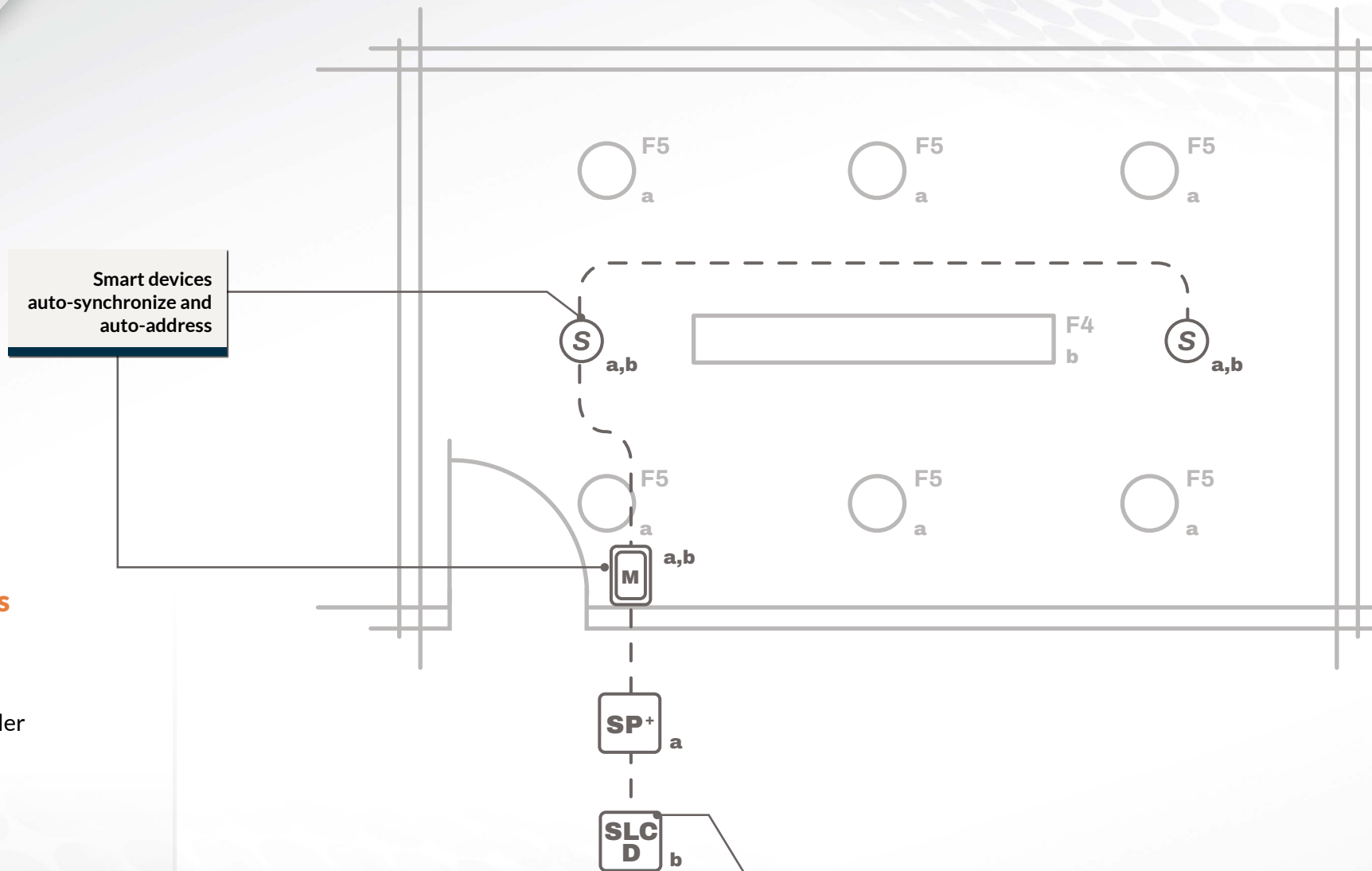
SPECIFIED DESIGN

CONFERENCE

EXAMPLE #1

- Two zones of control
- Occupancy mode (auto-on / auto-off)
or Vacancy mode (manual on / manual off)





Touché Components

SP+ SmartPack+

Standalone Room Controller

M Wall Station

Color Mini

SLC D Smart Load Control

Dimmable

S Smart Sensor

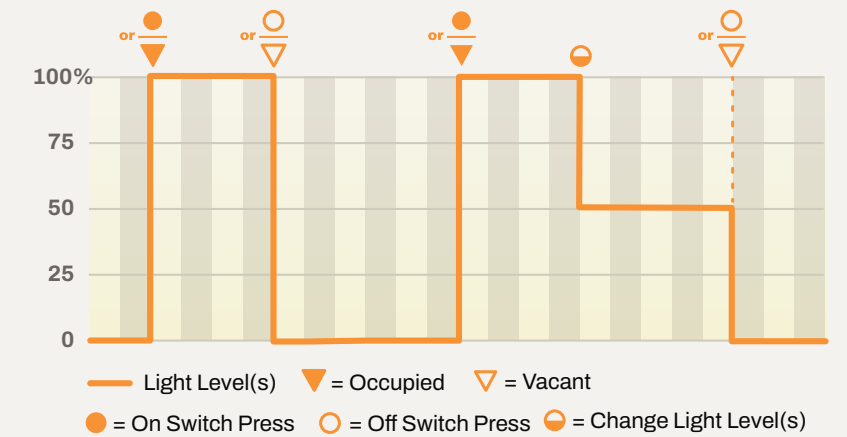
Dual technology (PIR/passive acoustic) occupancy / vacancy sensor with built-in photo sensor.

Cable Type

----- CAT5 (minimum)

Occupancy Control

An occupancy event from the sensor turns the lights on and a vacancy event turns the lights off. The switch is used to change the light level(s) or force the lights off.



Vacancy Control

A switch button press turns the lights on and a vacancy event from the sensor turns the lights off. The switch is also used to change the light level(s) or force the lights off.

